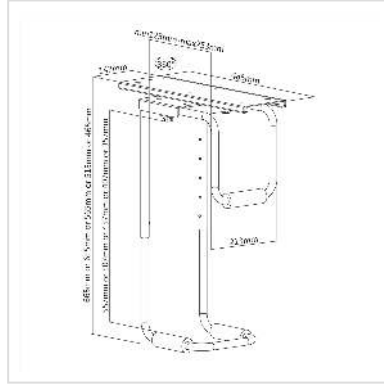


VALUE Heavy Duty PC Holder, Extendable, Rotable

Product No.	17.99.1502
Manufacturer	VALUE
Manufacturer No.	17.99.1502
EAN (single piece)	7630049610576



Solid under desk PC holder for more space on your work table - adjustable in height (123-253 mm) and width (357/457/507/557 mm), 360° rotatable!

- Under desk PC Holder telescopic and swiveling
- Stable steel construction
- To be fixed under your desk
- Heavy-Duty CPU Holder (up to 30 kg)
- Locking rotary knob ensures a secure position at any width setting
- Spring pin for easy height adjustment (357 / 457 / 507 / 557 mm)
- 360° swivel allows for easy access of PC backside ports and cables
- Sliding mechanism for greater accessibility

Technical specifications

Manufacturer	VALUE
Product group	office furniture
Product type	CPU Holders
Colour	black
Load capacity	30 kg
Fixing	under your desk
Maximal arm length	Height 357 / 457 / 507 / 557 mm
Adjustments	Adjustable spring gauge
Material group	metal

Technical particularity	Width 123 - 253 mm
Weight	4210.5 g
Height of packaging (single piece)	550 mm
Width of packaging (single piece)	270 mm
Depth of packaging (single piece)	250 mm
Package weight (single piece)	5.9 kg