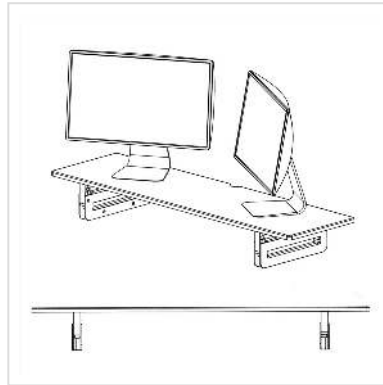
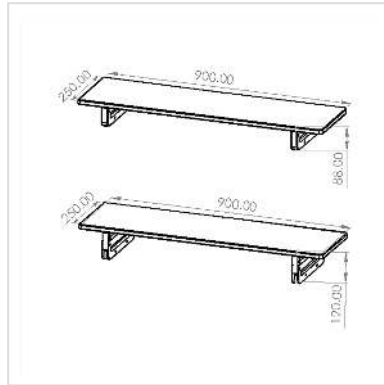


VALUE Height-adjustable Monitor/Laptop Stand, extra-large

Product No.	17.99.1341
Manufacturer	VALUE
Manufacturer No.	17.99.1341
EAN (single piece)	7630049611436



Monitor/laptop stand made of wood, 2-step height adjustment and with cable suspension for a clean, tidy workplace

- Large platform footprint (900x250mm) for up to two monitors or laptop and devices such as speakers or pen holders
- Cable suspension on the rear for space-saving and tidy cable management
- Under the monitor platform there is plenty of space for documents or also for temporary storage of the keyboard
- Loadable up to 20kg
- Dimensions (WxHxD): 900 x 90/115 x 250mm
- Colour: black

Technical specifications

Manufacturer	VALUE
Product group	LCD-Monitor arms
Product type	Monitor stand
Colour	black
Load capacity	20 kg
Adjustments	Adjustable spring gauge
Inclinable	no

Height adjustable	yes
Number of monitors	2
Material group	Wood
Height	115 mm
Width	900 mm
Depth	250 mm
Weight	3035.8 g
Height of packaging (single piece)	60 mm
Width of packaging (single piece)	260 mm
Depth of packaging (single piece)	910 mm
Package weight (single piece)	3.5 kg