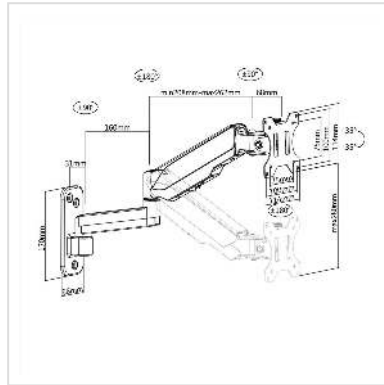


VALUE LCD Monitor Arm, Wall Mount, 5 Joints, Pivot, black

Product No.	17.99.1191
Manufacturer	VALUE
Manufacturer No.	17.99.1191
EAN (single piece)	7630049613003



Wall mountable monitor arm, for easy and reliable adjustment of a monitor weighing up to 8kg and VESA 75 / 100!

This single, height adjustable monitor arm makes your workstation more efficient: you gain more workspace and will be able to adjust the monitor height according to your personal demands - flawlessly and easy.

- Designed for one monitor
- Detachable, 360° rotatable VESA plate enables an easy installation and handling
- The aluminium arm is easy to adjust for swinging into any position
- The display can be tilted to any angle you need
- Spring assistant system easily adjusts the height of monitor
- Load capacity: up to 8kg
- Meets VESA 75 (75x75mm) or VESA 100 (100x100mm)
- Arm length: up to 453mm

Technical specifications

Manufacturer	VALUE
Product group	LCD-Monitor arms
Product type	Monitor Arms, wall mount
Colour	black

Length	453 mm
Maximum weight capacity	8 kg
Quantity of pivots	5
Fixing	Wall Mount
Maximal arm length	453 mm
Adjustments	Adjustable spring gauge
Inclinable	yes
Height adjustable	yes
Rotatable	yes
Number of monitors	1
Max. Screen diagonal (cm)	81.28 cm
Max. Screen diagonal (inch)	32 inch
Min. Screen diagonal (cm)	43.18 cm
Min. Screen diagonal (inch)	17 inch
VESA 75 x 75 mm	yes
VESA 100 x 100 mm	yes
Material group	metal
Weight	1871.6 g
Height of packaging (single piece)	80 mm
Width of packaging (single piece)	220 mm
Depth of packaging (single piece)	370 mm
Package weight (single piece)	2.1 kg