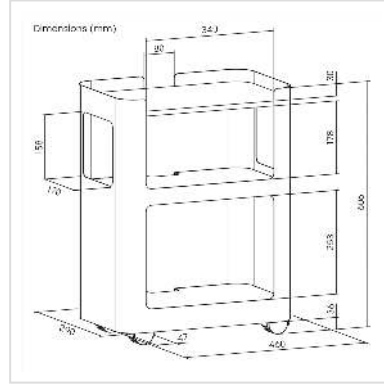


VALUE Open Shelf Mobile Cabinet, white

Product No.	17.99.1187
Manufacturer	VALUE
Manufacturer No.	17.99.1187
EAN (single piece)	7630049634442



This mobile and open cabinet offers versatile storage options. The rounded corners ensure both an aesthetic appearance and safety. The cable management and hidden castors ensure a tidy appearance. Thanks to the ample and open storage space, your items remain easily accessible. Enhance your interior with this functional and stylish cabinet.

- Load capacity: 10 kg (top), 20 kg (middle), 20 kg (bottom)
- Cable management: ensures order and overview
- Rounded edges and corners: for comfort and safety
- Hidden castors: smooth movement and elegant design
- Dimensions (H x W x D): 606 x 460 x 290 mm
- Material thickness 1.2 mm
- Color: white

Technical specifications

Manufacturer	VALUE
Product group	Furniture
Product type	PC workstation
Colour	white
Height	606 mm
Width	460 mm
Depth	290 mm

Weight	9300 g
Height of packaging (single piece)	640 mm
Width of packaging (single piece)	350 mm
Depth of packaging (single piece)	520 mm
Package weight (single piece)	11.6 kg