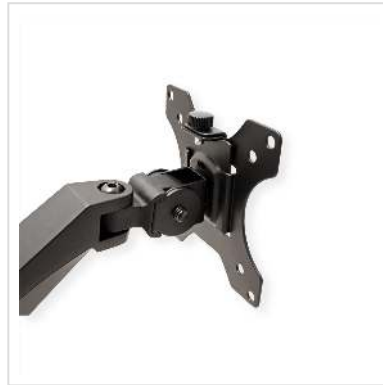
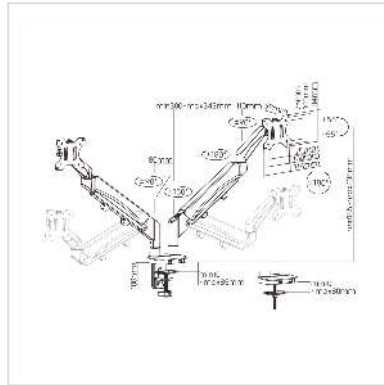


# VALUE Dual LCD Monitor Arm, Desk Clamp, 5 Joints, Space Saving

<b>Product No.</b>	17.99.1183
<b>Manufacturer</b>	VALUE
<b>Manufacturer No.</b>	17.99.1183
<b>EAN (single piece)</b>	7630049627673



**This space-saving, spring-assisted monitor arm lets you perfectly mount and align two monitors in tight spaces. Shorter forearms allow seamless alignment of screens with different sizes. The quick-release VESA plate ensures quick installation. Designed with cable management for an organized and neat workspace.**

- Designed for two monitors
- Shorter forearms allow different sized screens to align seamlessly
- Easy and flexible adjustment of the two monitor arms
- Load capacity: up to 9 kg each monitor
- Meets VESA 75 (75 x 75 mm) or VESA 100 (100 x 100 mm)
- Arm length: up to 453 mm each
- With a C-clamp for desk mount
- Tilt Range: +55° ~ -55°
- Swivel Range: +90° ~ -90°
- Screen Rotation: +180° ~ -180°
- Arm Full Extension: 453mm (17.8")
- Installation: Clamp,Grommet
- Suggested Desktop Thickness:

Clamp: 10-85mm

Grommet: 10-80mm

## Technical specifications

Manufacturer	VALUE
Product group	LCD-Monitor arms
Product type	Monitor Arms, Desk Clamp
Colour	black
Maximum weight capacity	18 kg
Quantity of pivots	5
Fixing	desk clamp
Maximal arm length	2x 453 mm
Adjustments	Adjustable spring gauge
Rotatable	yes
Number of monitors	2
Max. Screen diagonal (inch)	32 inch
Min. Screen diagonal (inch)	17 inch
VESA 75 x 75 mm	yes
VESA 100 x 100 mm	yes
Material group	metal
Technical particularity	vertically adjustable
Weight	4900 g
Height of packaging (single piece)	140 mm
Width of packaging (single piece)	230 mm
Depth of packaging (single piece)	410 mm
Package weight (single piece)	5.5 kg