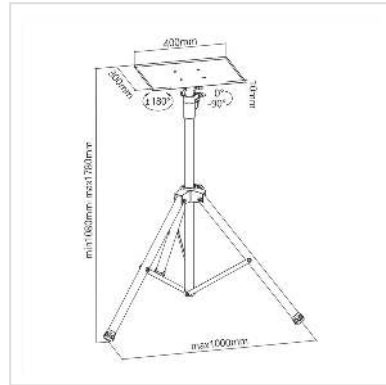


# VALUE height Adjustable Multi-Purpose Tripod Stand, black

<b>Product No.</b>	17.99.1168
<b>Manufacturer</b>	VALUE
<b>Manufacturer No.</b>	17.99.1168
<b>EAN (single piece)</b>	7630049612983



**This height-adjustable tripod is a practical solution suitable for many applications. A 90° VESA plate is attached to the top to accommodate almost any laptop or other work or presentation equipment.**

- Non-slip rubber buffers: Protect the work surface from scratches or chafe marks.
- Easy-Grip Buttons: for quick tilting and locking
- Lockable rotary knob: ensures a safe position at any height adjustment.
- Safety rail stopper: Prevents your equipment from slipping.
- Height adjustment: meets the different preferences of the user.
- Infinitely height-adjustable (min. 1080 mm - max. 1780 mm) and thus adaptable to requirements and requirements
- With a working area of 400 x 300 mm this workstation offers enough space for notebook/laptop or beamer (if a monitor arm is used).
- VESA compatible (75 x 75 mm / 100 x 100 mm) when using a monitor (max. 81cm diagonal)
- Maximum load capacity: up to 15 kg
- Rounded corners and edges

## Technical specifications

Manufacturer	VALUE
Product group	Office furniture
Product type	PC workstation

Colour	black
Maximum weight capacity	15 kg
Adjustments	Adjustable spring gauge
Inclinable	yes
Height adjustable	yes
Rotatable	yes
Number of monitors	1
Max. Screen diagonal (cm)	81 cm
Min. Screen diagonal (cm)	33 cm
VESA 75 x 75 mm	yes
VESA 100 x 100 mm	yes
Material group	metal
Weight	4563.7 g
Height of packaging (single piece)	170 mm
Width of packaging (single piece)	350 mm
Depth of packaging (single piece)	1050 mm
Package weight (single piece)	6.25 kg