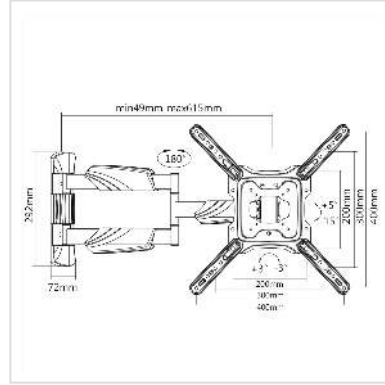
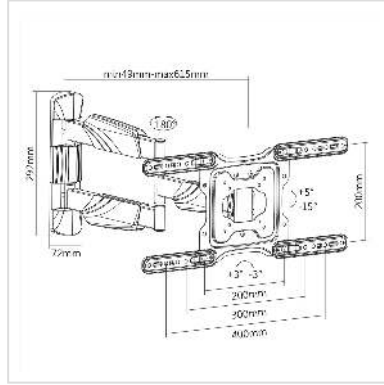


VALUE LCD/TV Wall Mount, 4 Joints

Product No.	17.99.1144
Manufacturer	VALUE
Manufacturer No.	17.99.1144
EAN (single piece)	7611990150199



- Mounts a monitor onto a wall
- Integrated cable management system
- Built-in level adjustment
- Swiveling arm offer maximum viewing flexibility (+90° - -90°)
- Freely tilting allows easy TV angle adjustment (+5° - 15°)
- Load capacity: up to 35 kg
- Meets VESA 400 x 400 mm
- Arm length: 61 cm

Technical specifications

Manufacturer	VALUE
Product group	LCD-Monitor arms
Product type	Monitor Arms, wall mount
Colour	black
Scope of delivery	supporting arm
Maximum weight capacity	35 kg
Quantity of pivots	4
Fixing	Wall Mount
Maximal arm length	610 mm

Adjustments	Adjustable spring gauge
Number of monitors	1
Max. Screen diagonal (cm)	139.7 cm
Max. Screen diagonal (inch)	55 inch
VESA 200 x 200 mm	yes
VESA 300 x 300 mm	yes
VESA 400 x 200 mm	yes
VESA 400 x 300 mm	yes
VESA 400 x 400 mm	yes
Material group	metal
Technical particularity	400x200 and 600x400mm
Weight	3437.5 g
Height of packaging (single piece)	65 mm
Width of packaging (single piece)	275 mm
Depth of packaging (single piece)	415 mm
Package weight (single piece)	3.76 kg