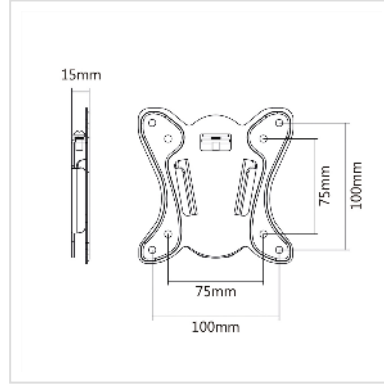


# VALUE LCD Monitor Wall Mount Kit

<b>Product No.</b>	17.99.1141
<b>Manufacturer</b>	VALUE
<b>Manufacturer No.</b>	17.99.1141
<b>EAN (single piece)</b>	7611990150106



- Space saving and solid mounting of a monitor on walls
- Easy to mount with sliding bracket design (2 pieces) - one piece has to be fixed to the wall, the other one has to be screwed with VESA on the monitor
- Slim design, just 15mm from the wall
- Monitor has to be mount from the upside into the wall mount
- Meets with VESA 75 (75 x 75 mm) or VESA 100 (100 x 100 mm)
- Load capacity: 25 kg

## Technical specifications

Manufacturer	VALUE
Product group	LCD-Monitor arms
Product type	Monitor Arms, wall mount
Colour	black
Maximum weight capacity	20 kg
Quantity of pivots	0
Fixing	wall mount
Maximal arm length	20 mm
Adjustments	Adjustable spring gauge
Number of monitors	1

Max. Screen diagonal (cm)	68.58 cm
---------------------------	----------

Max. Screen diagonal (inch)	27 inch
-----------------------------	---------

VESA 75 x 75 mm	yes
-----------------	-----

VESA 100 x 100 mm	yes
-------------------	-----

Material group	metal
----------------	-------

Height	120 mm
--------	--------

Width	120 mm
-------	--------

Weight	251.8 g
--------	---------

Height of packaging (single piece)	20 mm
------------------------------------	-------

Width of packaging (single piece)	130 mm
-----------------------------------	--------

Depth of packaging (single piece)	130 mm
-----------------------------------	--------

Package weight (single piece)	0.3 kg
-------------------------------	--------