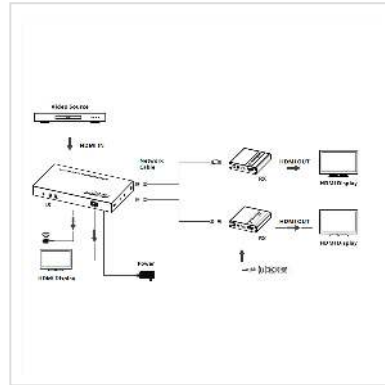
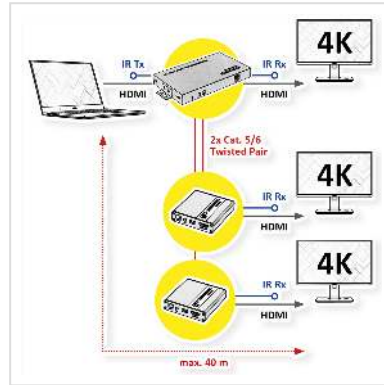


VALUE HDMI Splitter 1x3 with Extender 1x2 over Twisted Pair, 40m

Product No.	14.99.3464
Manufacturer	VALUE
Manufacturer No.	14.99.3464
EAN (single piece)	7630049626904



2160p

4K

HDMI video splitter 1x3 and HDMI video extender 1x2 via twisted pair cable up to 40 meters at up to 4K 30Hz

Suitable for advertising, studios, multimedia classrooms, etc.

- HDMI extender kit with splitter functionality (1 input / 3 outputs)
- It distributes 1 HDMI input signal to 3 identical signal outputs
- Two signal outputs can be extended up to 40 meters
- Max. supported resolution: 4K30Hz
- Bi-directional IR passthrough
- 3.5mm L/R audio output functions
- Supported Audio Formats: PCM, LPCM, DTS-HD, DTS-Audio
- Stable metal casing
- Dimensions: TX: 151.5x86.5x19mm // RX: 75x80x18mm
- Power supply included in delivery

- Contents: Transmitter, 2x Receiver, 3x power supply (TX: 1x 12 VDC, 1A, RX: 2x 5VDC, 1A;), manual

Technical specifications

Manufacturer	VALUE
Product group	Splitters and selectors
Product type	HDMI Extender
Colour	black
Scope of delivery	Transmitter, 2x Receiver, 3x power supply (RX: 2x 5VDC, 1A; TX: 1x 12 VDC, 1A), manual
Interface	HDMI
Max. distance	40 m
Video input	HDMI 1.4
Video output	HDMI 1.4
Video band width	up to 10,2 Gbps
Max. resolution	3840 x 2160 @30Hz (4K, Full HD)
Dimensions (HxWxD)	TX: 151.5x86.5x19mm // RX: 75x80x18mm
Power supply output	TX: DC 12V, 1A RX: DC 5V; 1A
Technical particularity	extends the signal up to 40m
Operating temperature min.	-20 °C
Operating temperature max.	60 °C
Height	19 mm
Width	150 mm
Depth	167 mm
Weight	600 g
Height of packaging (single piece)	90 mm
Width of packaging (single piece)	170 mm
Depth of packaging (single piece)	230 mm
Package weight (single piece)	0.8 kg