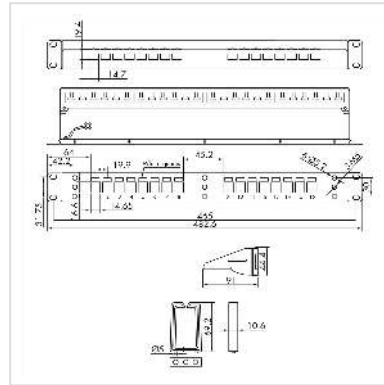


# ROLINE Keystone 19" Module Frame, 16 Ports, shielded, black

<b>Product No.</b>	26.11.0363
<b>Manufacturer</b>	ROLINE
<b>Manufacturer No.</b>	26.11.0363
<b>EAN (single piece)</b>	7630049627017



## 19" keystone patch panel 16 ports as shielded version

- 19" Patch panel module frame for FTP Cat.5 / Cat.6 RJ-45 keystone jacks
- Assembling of cables and keystones takes place over LSA-plus
- Color code on the keystone jacks, based on the standard EIA/TIA 568A and 568B
- Color: black
- Remark: Keystones are not included. Please order them separately.

### Technical specifications

Manufacturer	ROLINE
Product group	Connection technology TP
Product type	Patchpanel Cat.6 / Class E
Colour	black
Shield type	Screened
Transfer quality	Cat6 / Class E
Cabinet system	19"-Technique
Quantity of ports	max. 16
Assembly cable connection	Krone LSAplus

Modular assembly	yes
Connection direction	Straight
Height	44.4 mm
Width	482.6 mm
Depth	91 mm
Weight	750 g
Height of packaging (single piece)	50 mm
Width of packaging (single piece)	60 mm
Depth of packaging (single piece)	500 mm
Package weight (single piece)	0.84 kg