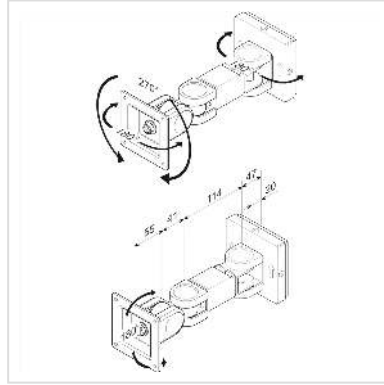


ROLINE LCD Monitor Wall Mount Kit, 3 Joints

Product No.	17.03.1126
Manufacturer	ROLINE
Manufacturer No.	17.03.1126
EAN (single piece)	7611990149797



- Space saving mounting of LCD monitor on wall
- VESA 75 (75 x 75 mm) fixation
- Inclination adjustable over joints
- Pivot function: 270°

Technical specifications

Manufacturer	ROLINE
Product group	LCD-Monitor arms
Product type	Monitor Arms, wall mount
Colour	black
Load capacity	6 kg
Quantity of pivots	3
Fixing	wall mount
Maximal arm length	200 mm
Adjustments	Adjustable spring gauge
Number of monitors	1
VESA 75 x 75 mm	yes
Material group	metal
Weight	1588 g

Height of packaging (single piece)	100 mm
Width of packaging (single piece)	100 mm
Depth of packaging (single piece)	280 mm
Package weight (single piece)	1.687 kg