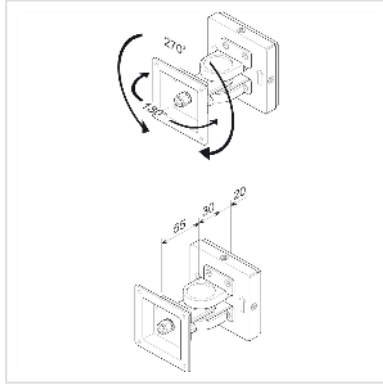


# ROLINE LCD Monitor Wall Mount Kit, 1 Joint

<b>Product No.</b>	17.03.1124
<b>Manufacturer</b>	ROLINE
<b>Manufacturer No.</b>	17.03.1124
<b>EAN (single piece)</b>	7611990149773

**roline**  
Designed for Professionals



- Space saving mounting of monitor on walls
- VESA 75 (75 x 75 mm) fixation
- Inclination adjustable over joints
- Pivot function: 270°

## Technical specifications

Manufacturer	ROLINE
Product group	LCD-Monitor arms
Product type	Monitor Arms, wall mount
Colour	black
Load capacity	6 kg
Quantity of pivots	1
Fixing	wall mount
Maximal arm length	100mm
Adjustments	Adjustable spring gauge
Number of monitors	1
VESA 75 x 75 mm	yes
Material group	metal
Weight	1027.7 g

Height of packaging (single piece)	100 mm
---------------------------------------	--------

Width of packaging (single piece)	100 mm
--------------------------------------	--------

Depth of packaging (single piece)	120 mm
--------------------------------------	--------

Package weight (single piece)	1.087 kg
----------------------------------	----------