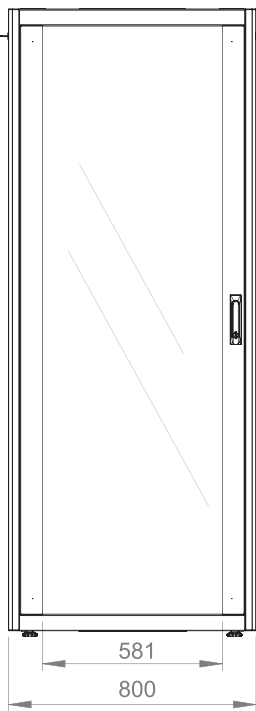
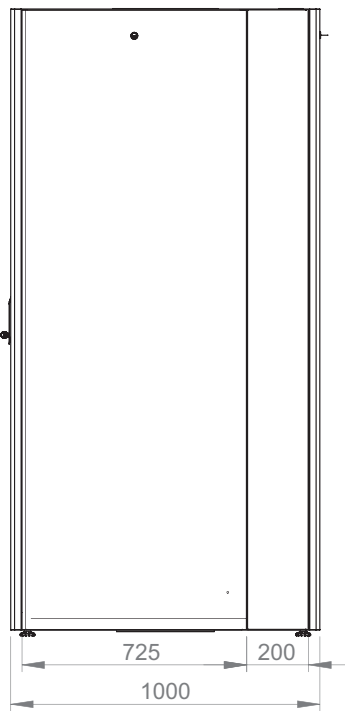


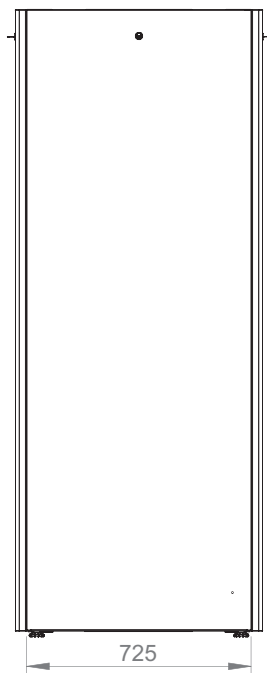
Top view



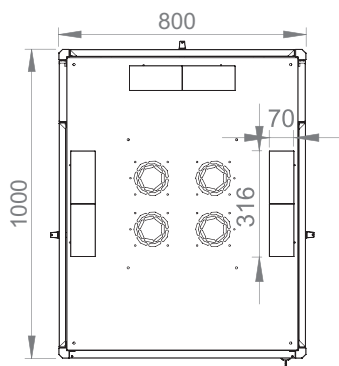
Front view



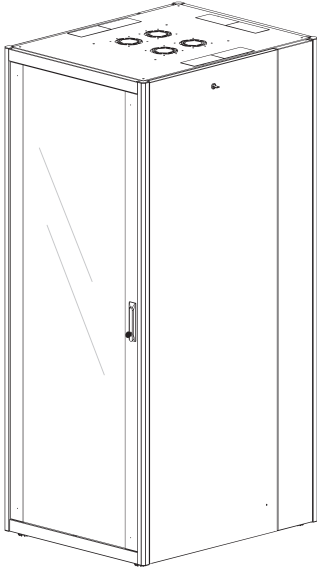
Side view



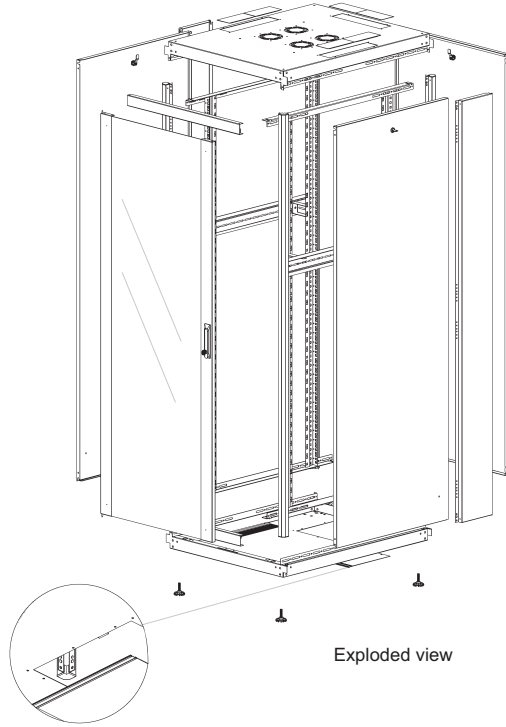
Rear view



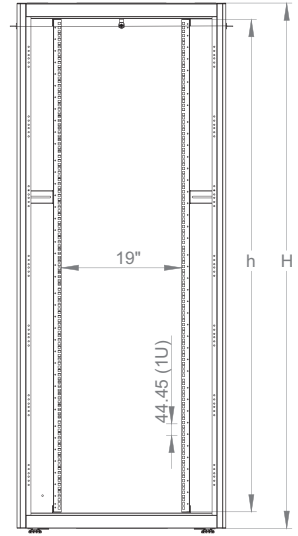
Bottom view



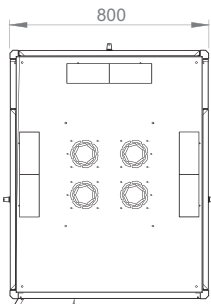
Isometric view



Exploded view

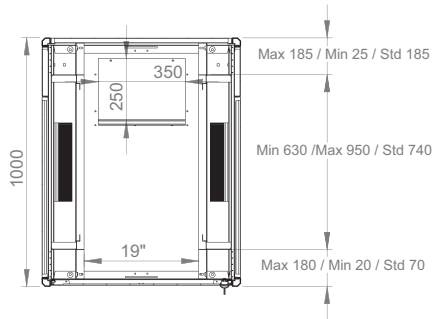


Dimensions in width and height



Front door opening angle

0°-120°



Max/std/min equipment mounting distance

	h	H
42U	1867 mm	2010 mm
47U	2089 mm	2236 mm