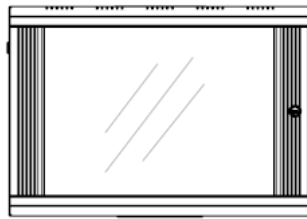
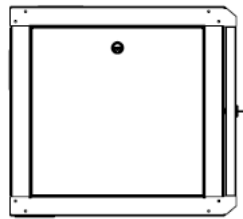


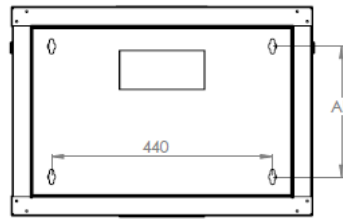
600 mm width - 450 mm depth



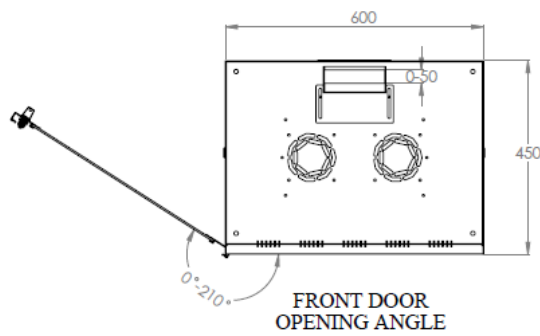
FRONT VIEW



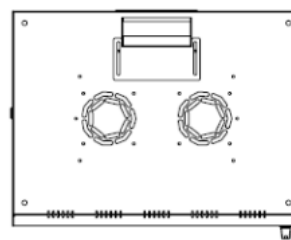
SIDE VIEW



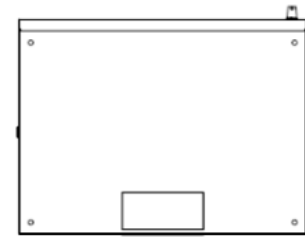
REAR VIEW



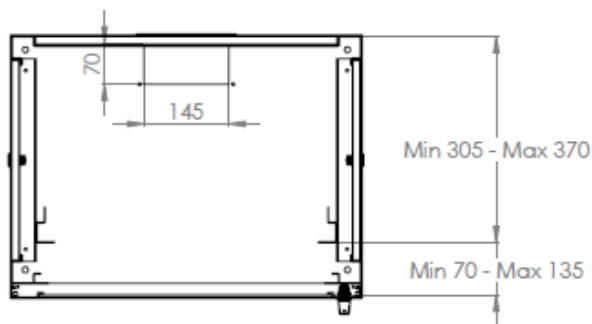
FRONT DOOR
OPENING ANGLE



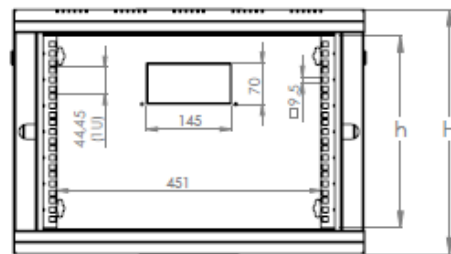
TOP VIEW



BOTTOM VIEW



MAX/STD/MIN EQUIPMENT
MOUNTING DISTANCE



DIMENSIONS IN
WIDTH AND HEIGHT