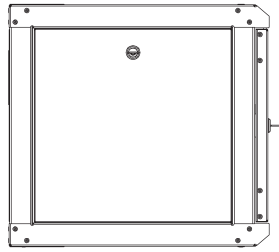
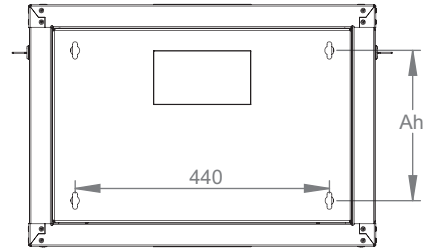


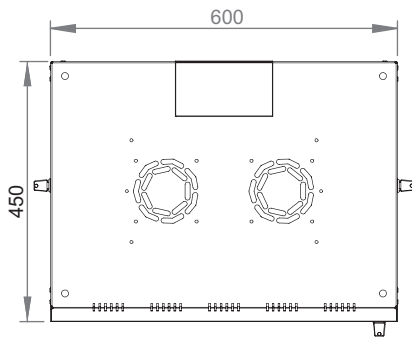
Front view



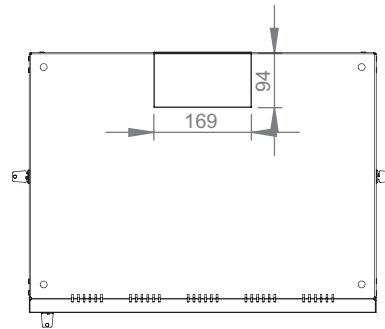
Side view



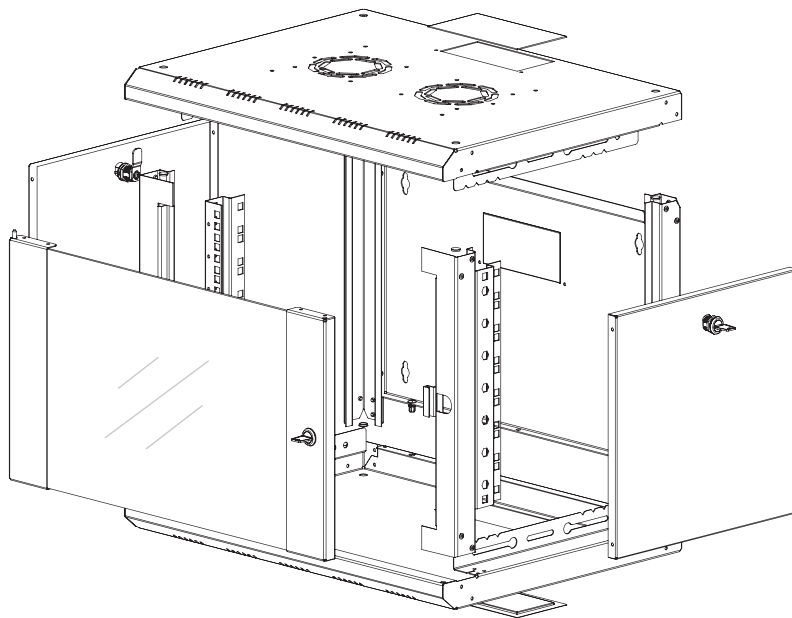
Rear view



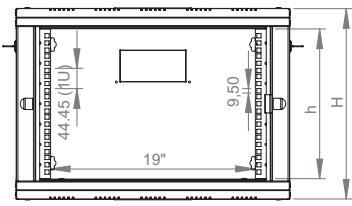
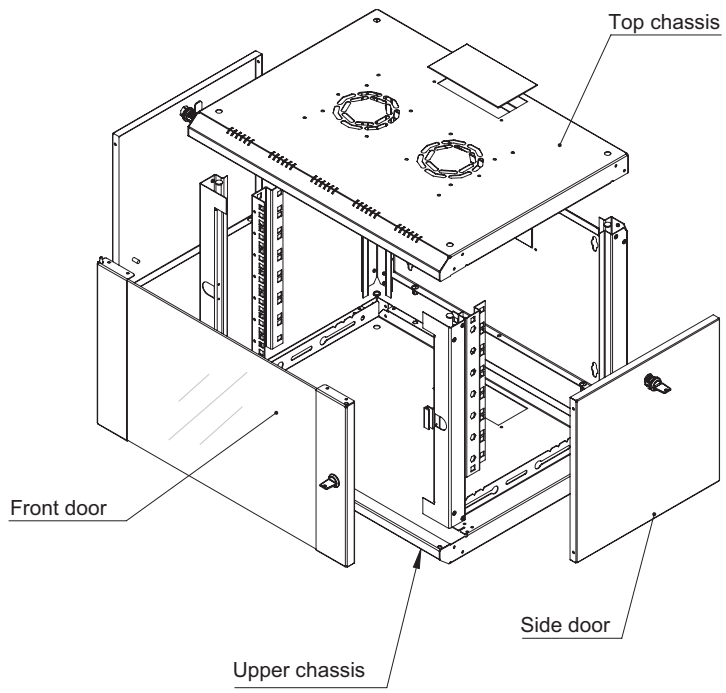
Top view



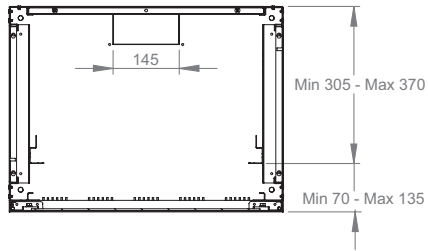
Bottom view



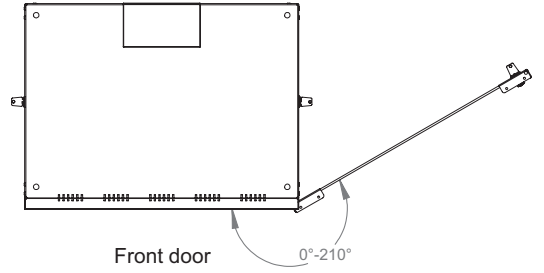
Exploded view



Dimensions in width and height



Max / Min equipment mounting distance



Front door opening angle