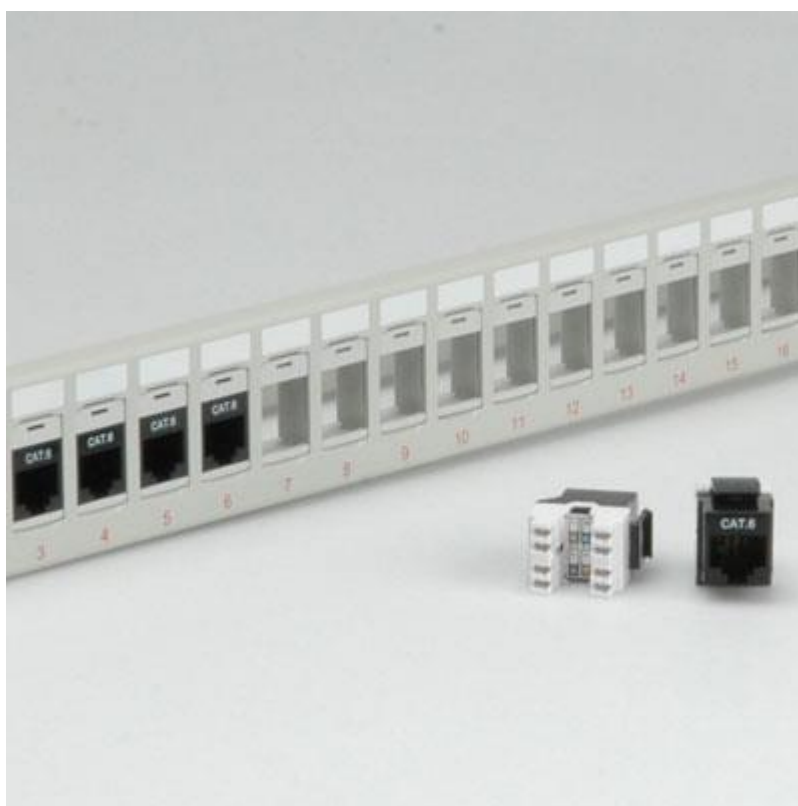




Datenblatt - Fiche technique - Data sheet

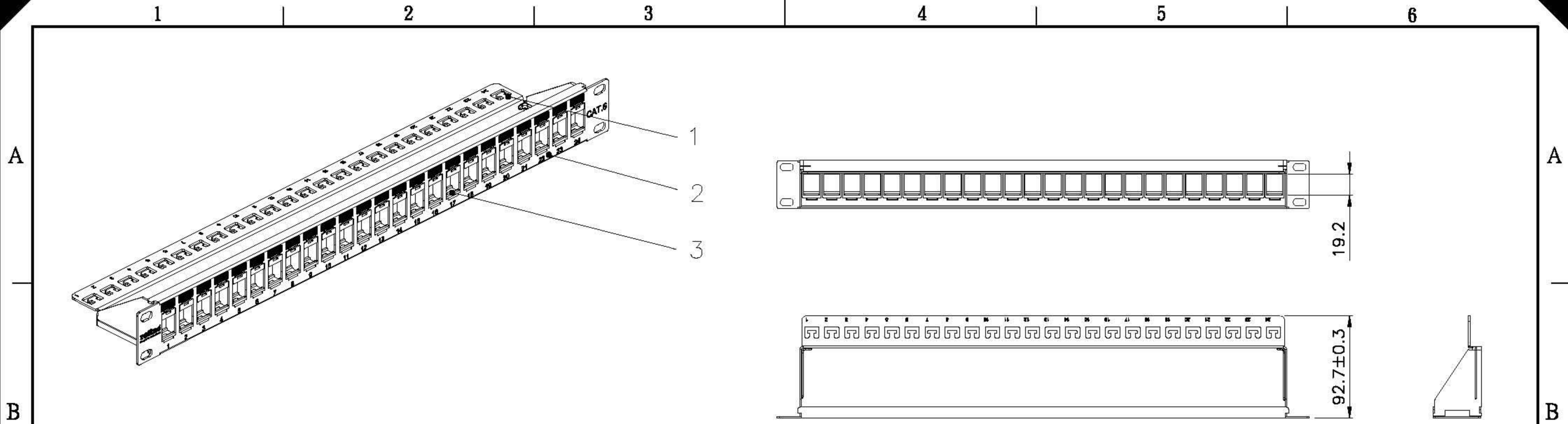
**26.11.0356**



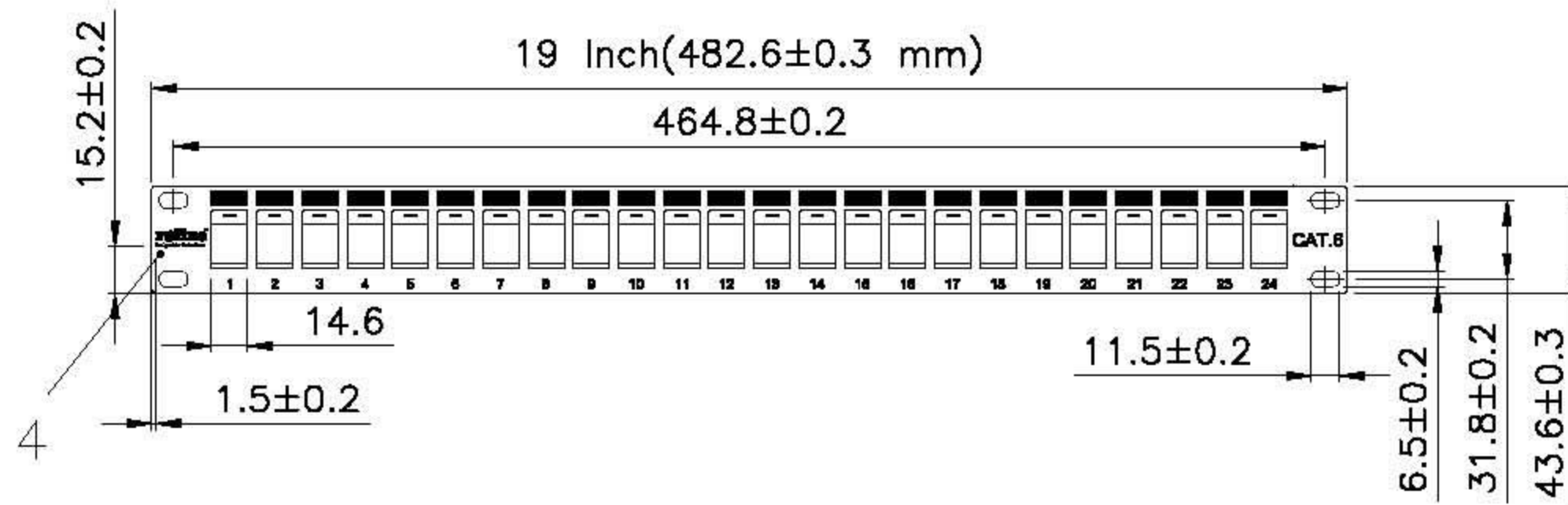
19"-Keystone-Modulträger, 24P., ungeschirmt, lichtgrau

Panneau de brassage 19" pour Keystones 24 ports, non-blindé, gris clair

Keystone 19" Module frame Cat.5/Cat.6, 24 Ports, blank, unshielded, light grey



SCALE 1/4



Specification :

Material :

1. Support Bar : SPCC, 1.5 mm thickness with Black/Gray color painted.
2. Panel : SPCC, 1.5 mm thickness with Black color painted.
3. Insert : ABS, UL 94V-0.
4. The color of the logo and number painted: Pantone 485C

GENERAL TOLERANCE OF DIMENSIONS X.XXX ±0.005 X.XX ±0.05 X.X ±0.1	DRAWING	10.APR.2009	Connie	<h1>rotronic</h1>	
	CHECK	10.APR.2009	KLi		
	APPROVAL	10.APR.2009	Yty		
		DATE	NAME	ITEM NO.: 26.11.0356	
	SCALE	1/5 (A4)	UNIT	mm	DES.: CAT.6 PKJ24 A Patch Panel
		DRAWING NO.	PKJ24-C6-A/XX(SA1)		
		DRAWING CLASSIFICATION		SHEET	1 OF 1

