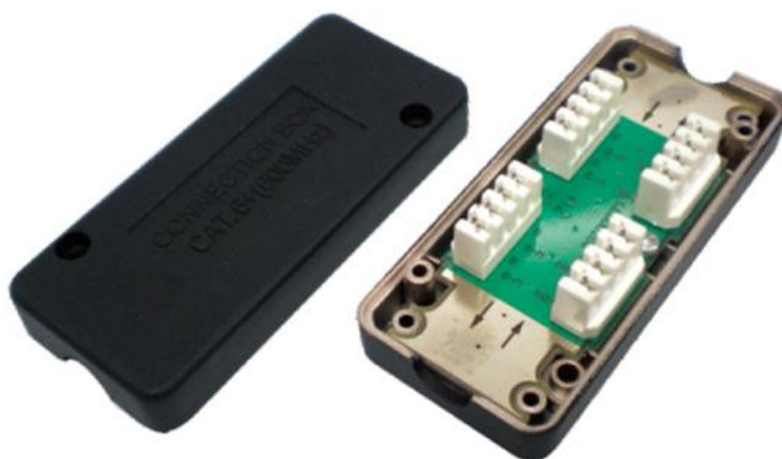




Datenblatt - Fiche technique - Data sheet

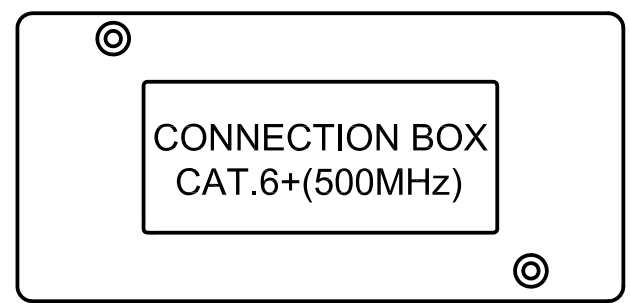
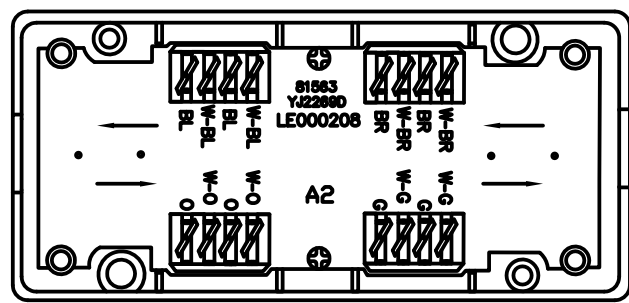
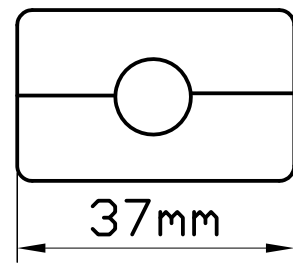
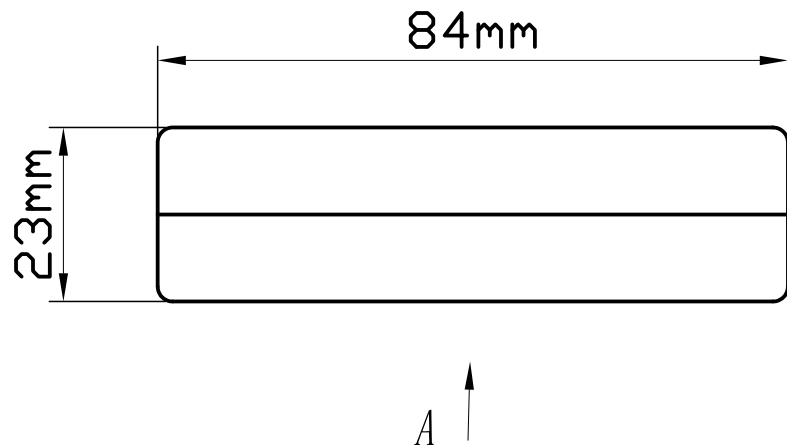
21.99.3048



VALUE Junction Box Kat.6A, UTP

VALUE Module de liaison Cat.6A, UTP

VALUE Junction Box Cat.6A, UTP



OPEN TOP

TOP

NOTES:

ELECTRICAL:

1. VOLTAGE RATING: 125 VAC RMS
2. CURRENT RATING: 1.5AMP
3. CONTACT RESISTANCE: 100MILLIOHMS MAX
4. INSULATION RESISTANCE: 100 MEGOHMS MIN @500 VDC
5. DIELECTRIC STRENGTH: 750 VAC RMS 60Hz, 1MIN

ENVIRONMENTAL:

1. STORAGE: -40°TO+85°
2. OPERATION: 0°TO70°

MECHANICAL:

1. HOUSING MATERIAL: PC BLACK
2. PCB MATERIAL: FR-4 T=1.6MM
3. IDC MATERIAL: PC, CONTACT: PHOSPHOR BRONZE; WITH NICKEL PATING;
4. IDC LIFE: 200 TIMES MIN;

					SECOMP								
					Material				Item No.	21.99.3048			
					Angles Projection	Size	Scale	Unit	DWG No.	UTP-00-01			
Drawn	Ding jian bo	2015.12.28	Tolerance			A4	X:1	mm	Part Name	VALUE Cat.6a UTP Junction Box			
Checked	Ge pei jun	2015.12.28	0.00-20.00	±0.10					Sheet	1 OF 1	Version: A/0	ERP	
Approved	Wang wei jun	2015.12.28	20.00-50.00	±0.15								Part No.	
			50.00-100.00	±0.20									
			100.00-	±0.25									
			Angle	±30°									