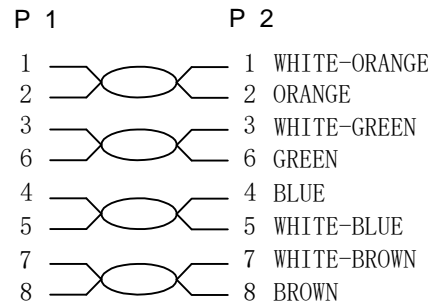


NOTE:

- 1. 100% OPEN SHORT, MISS WIRE TEST
- 2. FLUKE CHANNEL TEST
- TEST LIMIT:ISO11801 Channel Class E
- 3. PRINT BLACK WORD:  
CAT6 U/UTP 4x2x24AWG/7 PVC ISO11801 & EN50173 & ANSI/TIA568C.2
- 4. Reach and ROHS2.0 COMPLIANT

WIRING DIAGRAM



MATERIAL LIST

⑥	LABEL	NO DRY GLUE LABEL	1	
⑤	MINI TIE	PE MINI TIE(POSSESS METAL)	2	
④	BAG	PE BAG	1	
③	OVER MOLD	PVC COLOR:Grey(7035)	2	
②	CONNECTOR	RJ45 8P8C UNSHIELDED, PIN GOLD PLATED 3u"	2	
①	CABLE	UTP CAT.6 24AWG(CCA)*4PAIRS+SKIN JACKET:PVC/Grey(7035), OD:5.9±0.2mm	1	

COLOUR:GREY(RAL 7035)

ITEM NO.	LENGTH	TOLERANCE (T)
21.99.0900	0.5M	±15mm
21.99.0901	1M	±30mm
21.99.0950	1.5M	±40mm
21.99.0902	2M	±45mm
21.99.0903	3M	±60mm
21.99.0905	5M	±90mm
21.99.0907	7M	±150mm
21.99.0910	10M	±210mm

ITEM NO.	21.99.0900	21.99.0901	21.99.0950	21.99.0902	21.99.0903
	21.99.0905	21.99.0907	21.99.0910		
DESC.	VALUE U/UTP PatchCord CAT.6,PVC,Comp.Lev.,grey				

NO.	PARTS NAME	SPECIFICATION STANDARD	QT' Y	REMARK
		NEW		2018-03-21
BY	CHK	REVISION RECORD MODIFICATION	DATE	REV.

**SECOMP**