

1

2

3

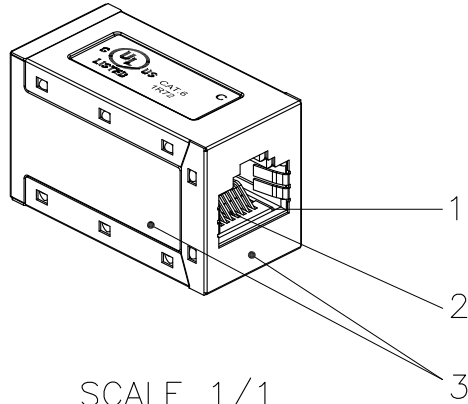
4

5

6

A

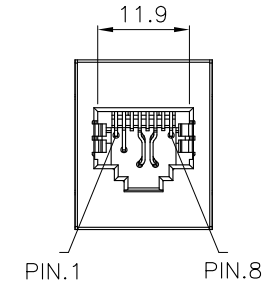
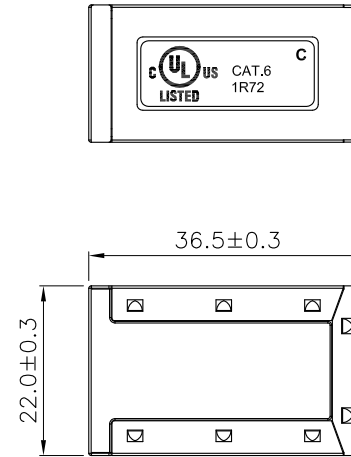
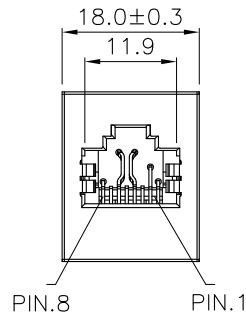
A



SCALE 1/1

B

B



C

C

Specification :

Material :

1. RJ45 Jack
 - 1-1. Housing : ABS, UL 94-V0, with Black color.
 - 1-2. Contact Bracket : PC, UL 94-V2, Transparent color.
2. RJ45 Jack Contact :
 - 2-1. Material : Phosphor Bronze with Nickel plated.
 - 2-2. Finish : 50 micro-inch Gold plated on Plug contact area.
3. RJ45 Jack Shield : Bronze with Nickel Plated.
4. PCB : FR4, UL 94-V0.

Performance :

- a. Current rating : 1.5A @25°C.
- b. Insulation resistance : 100VDC/500MΩ min./60 Sec
- c. Contact resistance : 20mΩ max.
- d. DC resistance :
 - 200 mΩ max.(single contacts)and 100 mΩ max.(screen)
 - 50 mΩ max.(input to output DC resistance unbalance)
- e. Dielectric withstanding voltage :
 - 1000 VDC(contact to contact)and 1500 VDC(contacts to screen)/2 mA max./60 sec
- f. Insertion force : 30N max. (IEC 60603-7-5)
- g. Retention strength : 7.7 kg between Jack and Plug.
- h. Operating temperature : -10°C to 60°C. (ISO/IEC 11801, ANSI/TIA-568.2-D:2018)
- i. Life(mating cycles) : 750 cycles min. (ISO/IEC 11801, IEC 60603-7-5)
- j. The Cat.6 channel transmission performance is in compliance with the ANSI/TIA-568.2-D:2018 standard.

D

D

GENERAL TOLERANCE OF DIMENSIONS X.XXX ±0.005 X.XX ±0.05 X.X ±0.1	DRAWING	12.MAR.2021	WESLEY	SECOMP	
	CHECK	12.MAR.2021	DAY		
	APPROVAL	12.MAR.2021	FRANK		
		DATE	NAME		ITEM NO.:21.17.3041
	SCALE	1/1 (A4)	UNIT	mm	DES.: ROLINE Cat.6 Coupler,shielded,silver
			DRAWING NO.	21.17.3041	
			DRAWING CLASSIFICATION	S	SHEET 1 OF 1

1

2

0

3

4

10cm

5

6