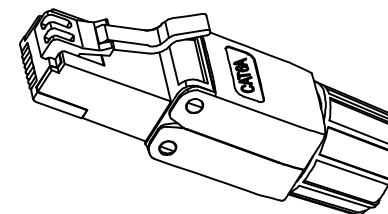
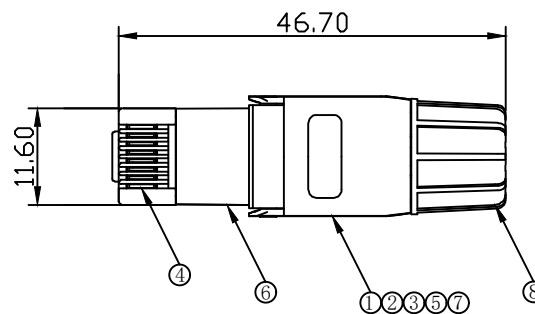


NOTE:  
 100% OPEN SHORT & MISS WIRE TEST;  
 CAT.6A/Class EA Channel Test pass  
 PoE per IEEE 802.3af, PoE+ per IEEE  
 802.3at, PoE++ per IEEE 802.3bt  
 RoHS 2.0 + REACH COMPLIANT



MATERIAL LIST:

⑧	NUT	PC COLOR:BLACK RAL9005	1	
⑦	SHEEL	PC COLOR:WHITE RAL9003	2	
⑥	HOUSING	PC COLOR:WHITE RAL9003	1	
⑤	MODULAR COVER	PC WITH LABEL COLOR CODE T568A/B	1	
④	RJ 45 PLUG	8P8C 3U" GOLD PLATED	8	
③	PCB	UL 94-V0	1	
②	IDC PIN	PHOSPHOR BRONZE &ZIN PLATING	8	
①	IDC TERMINAL	FOR 22-24 AWG CABLE	8	
NO.	PARTS NAME	SPECIFICATION STANDARD	QT' Y	REMARK

21.17.0324	ROLINE Cat6A Field Termination Plug, SLIM, UTP, toolless, white
ITEM NO.	DESC.

**SECOMP**

			2022-07-11	A
BY	CHK	REVISION RECORD MODIFICATIONS	DATE	REV.