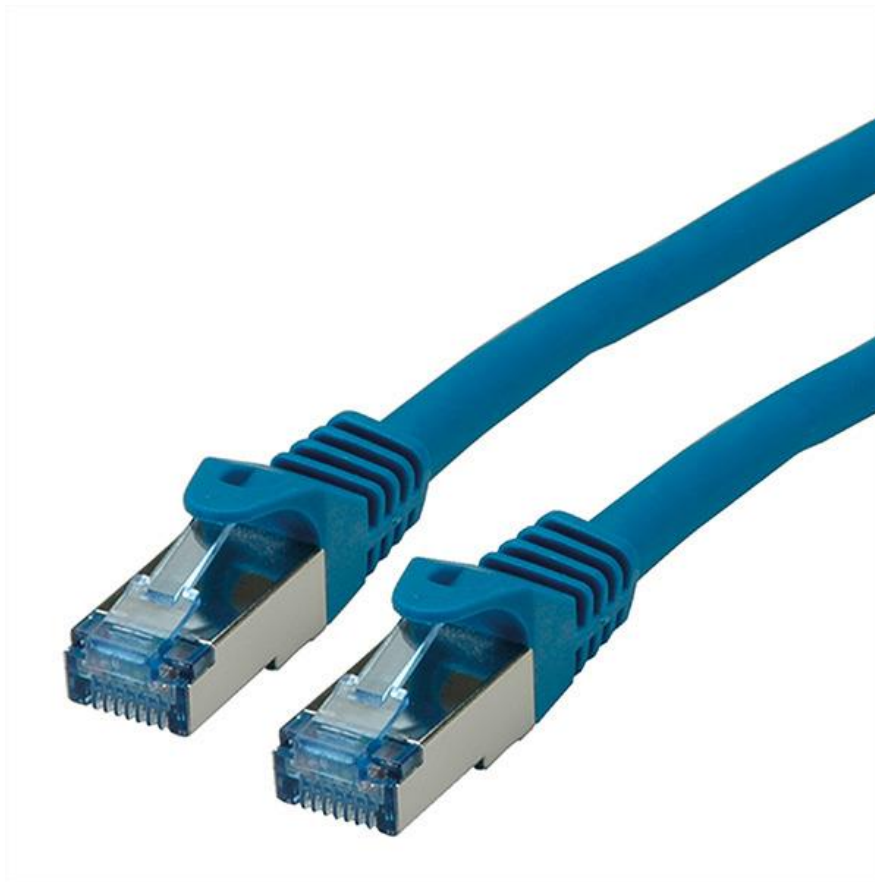




Datenblatt - Fiche technique - Data sheet

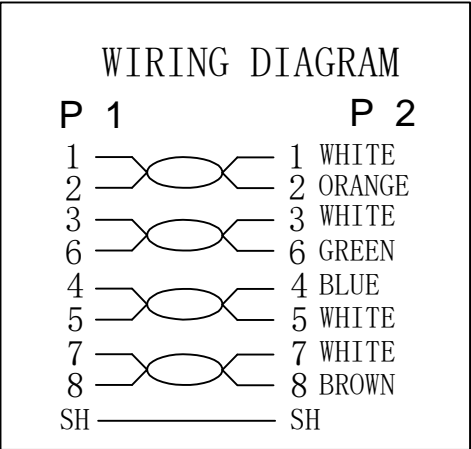
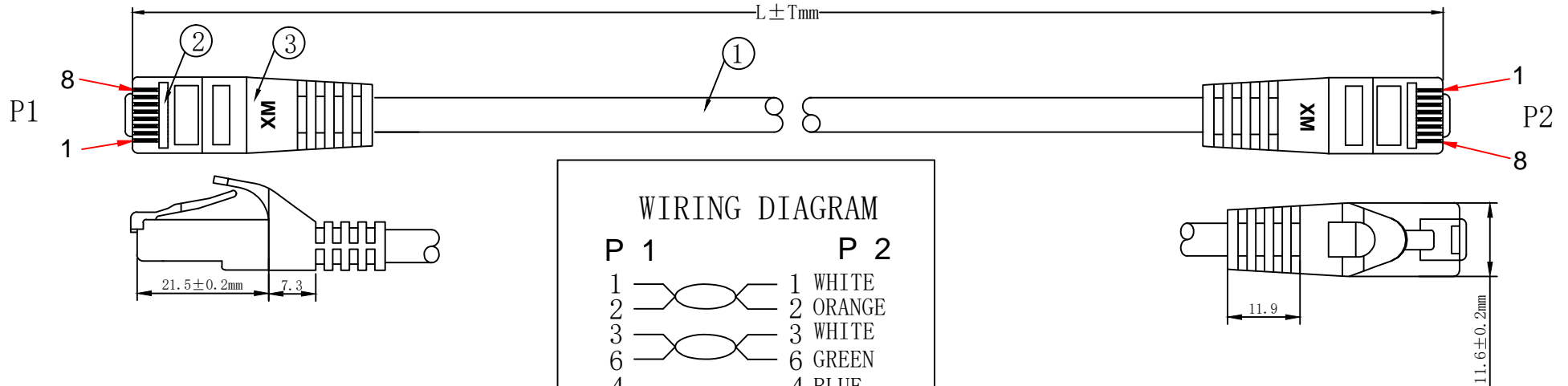
**21.15.2842**



ROLINE Patchkabel Kat.6A S/FTP (PiMF), Comp. Level, LSOH, blau, 2,0 m

Cordon ROLINE S/FTP(PiMF) Cat.6A / 10 Gigabit, LSOH, Component Level,  
bleu, 2,0 m

ROLINE S/FTP Patch Cord Cat.6A, Component Level, LSOH, blue, 2.0 m



**1. ELECTRICAL TEST:**

- (1).100% OPEN SHORT & MISS WIRE TEST;
- (2).INSULATION RESISTANCE:DC 250V 20M OHM MIN;
- (3).CONTACTOR RESISTANCE:30 OHM MAX

2.PRINTING:GHMT® roline CAT.6A S/FTP COMPONENT PATCH CORD LSZH 500MHZ ISO/IEC 11801 & EN 50173-1 & ANSI/TIA-568-C.2

3.100% Component Patch cord Test PASS

4.Minimum bending radius:60mm

**MATERIAL LIST**

⑥	LABEL	NO DRY GLUE LABEL	1PCS	
⑤	MINI TIE	PE MINI TIE(POSSESS METAL)	2PCS	
④	POLYETHYLENE BAG	POLYETHYLENE BAG	1PCS	
③	OVER MOLD	88A PVC blue	2PCS	
②	CONNECTOR	RJ45 8P8C'S SHIELDED PIN GOLD PLATED 3u", SHELL PLATED NICKEL Transparent Blue	2PCS	
①	CABLE	S/FTP CAT.6A 26AWG (BC*1P+AL-FOIL)*4P+BRAID CABLE JACKET LSOH OD=6.2±0.2MM	1PCS	
NO.	PARTS NAME	SPECIFICATION STANDARD	QT' Y	REMARK

COLOUR:blue (PANTONE:647C)					
ITEM NO.	LENGTH (L)	TOLERANCE (T)			
21. 15. 2974	300mm	± 10mm			
21. 15. 2840	500mm	± 15mm			
21. 15. 2841	1000mm	± 30mm			
21. 15. 2844	1500mm	± 45mm			
21. 15. 2842	2000mm	± 60mm			
21. 15. 2843	3000mm	± 90mm			
21. 15. 2845	5000mm	± 150mm			
21. 15. 2846	7500mm	± 210mm			
21. 15. 2847	10000mm	± 300mm			
21. 15. 2848	15000mm	± 450mm			
21. 15. 2849	20000mm	± 600mm			
ITEM NO.	21. 15. 2974	21. 15. 2840	21. 15. 2841	21. 15. 2842	21. 15. 2843
21. 15. 2844	21. 15. 2845	21. 15. 2846	21. 15. 2847	21. 15. 2848	21. 15. 2849
DESC.	ROLINE S/FTP PatchCord CAT. 6A, LSOH, Comp. Level1, blue				



NEW	2016-09-13	A
BY	CHK	REV.
REVISION RECORD MODIFICATIONS		DATE