



Datenblatt - Fiche technique - Data sheet

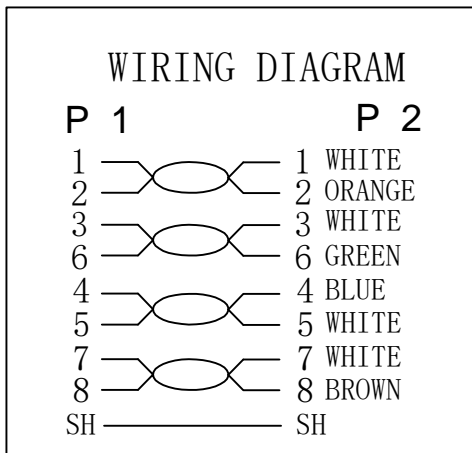
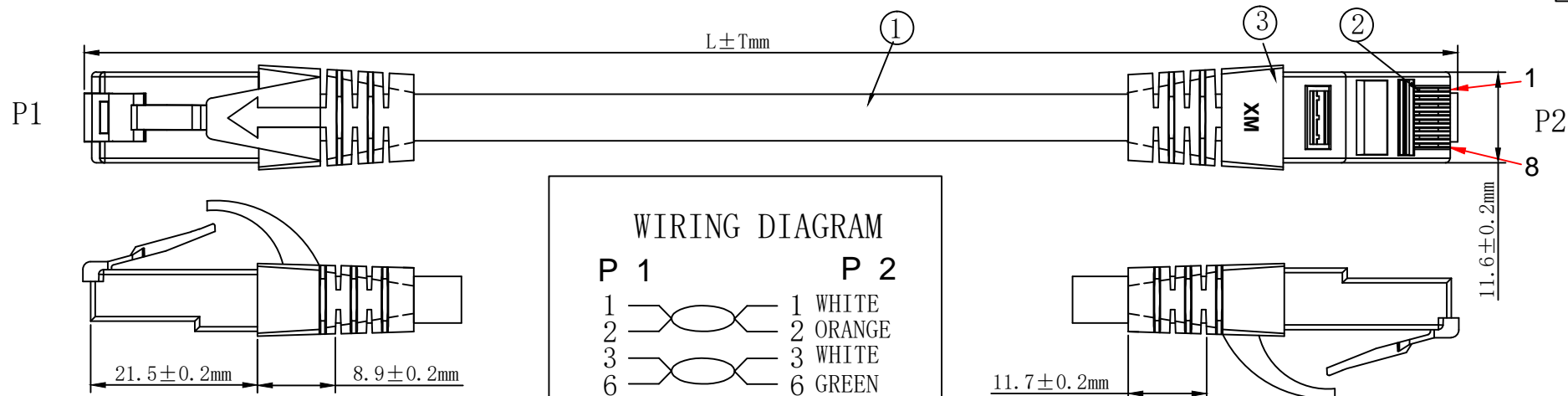
21.15.2755



ROLINE Patchkabel Kat.6A UTP, Comp. Level, LSOH, schwarz, 5,0 m

Cordon ROLINE UTP Cat.6A / 10 Gigabit, Component Level, LSOH, noir, 5,0 m

ROLINE UTP Patch Cord Cat.6A, Component Level, LSOH, black, 5.0 m



1. ELECTRICAL TEST:
 - (1).100% OPEN SHORT & MISS WIRE TEST;
 - (2). INSULATION RESISTANCE:DC 250V 20M OHM MIN;
 - (3). CONTACTOR RESISTANCE:30 OHM MAX
2. PRINTING:GHMT® roline CAT.6A U/UTP COMPONENT PATCH CORD LSZH 500MHZ ISO/IEC 11801 & EN 50173-1 & ANSI/TIA-568-C.2
- 3.100% Component Patch cord Test PASS
4. Minimum bending radius:60mm

MATERIAL LIST

⑥	LABEL	NO DRY GLUE LABEL	1PCS	
⑤	MINI TIE	PE MINI TIE(POSSESS METAL)	2PCS	
④	POLYETHYLENE BAG	POLYETHYLENE BAG	1PCS	
③	OVER MOLD	88A PVC black	2PCS	
②	CONNECTOR	RJ45 8P8C'S UNSHIELDED PIN GOLD PLATED 3u", Transparent Blue	2PCS	
①	CABLE	S/FTP CAT.6A 26AWG (BC*1P+AL-FOIL)*4P+BRAID CABLE JACKET LSOH OD=6.2±0.2MM	1PCS	
NO.	PARTS NAME	SPECIFICATION STANDARD	QT' Y	REMARK

COLOUR:black (PANTONE:black 3C)

ITEM NO.	LENGTH (L)	TOLERANCE (T)
21. 15. 2986	300mm	± 10mm
21. 15. 2750	500mm	± 15mm
21. 15. 2751	1000mm	± 30mm
21. 15. 2754	1500mm	± 45mm
21. 15. 2752	2000mm	± 60mm
21. 15. 2753	3000mm	± 90mm
21. 15. 2755	5000mm	± 150mm
21. 15. 2756	7500mm	± 210mm
21. 15. 2757	10000mm	± 300mm
21. 15. 2758	15000mm	± 450mm
21. 15. 2759	20000mm	± 600mm

ITEM NO.	21. 15. 2986	21. 15. 2750	21. 15. 2751	21. 15. 2752	21. 15. 2753
21. 15. 2754	21. 15. 2755	21. 15. 2756	21. 15. 2757	21. 15. 2758	21. 15. 2759
DESC.	ROLINE U/UTP PatchCord CAT. 6A, LSOH, Comp. Level, black				

		NEW		2016-09-13	A
BY	CHK	REVISION RECORD MODIFICATIONS		DATE	REV.

