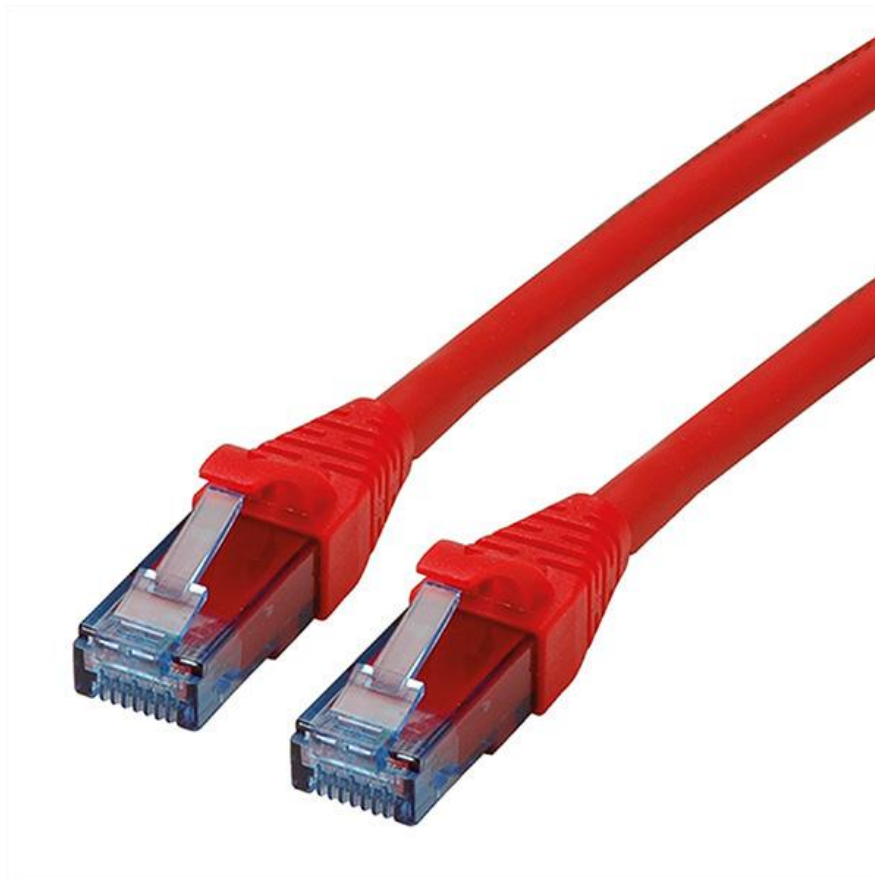




Datenblatt - Fiche technique - Data sheet

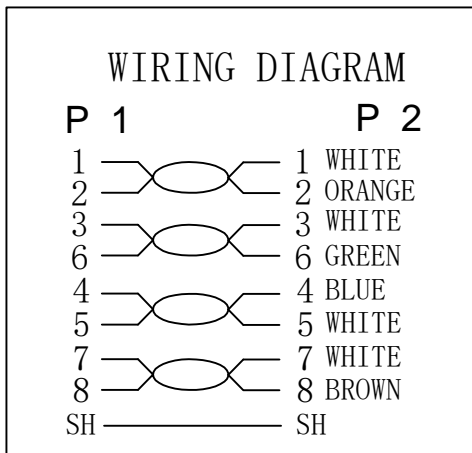
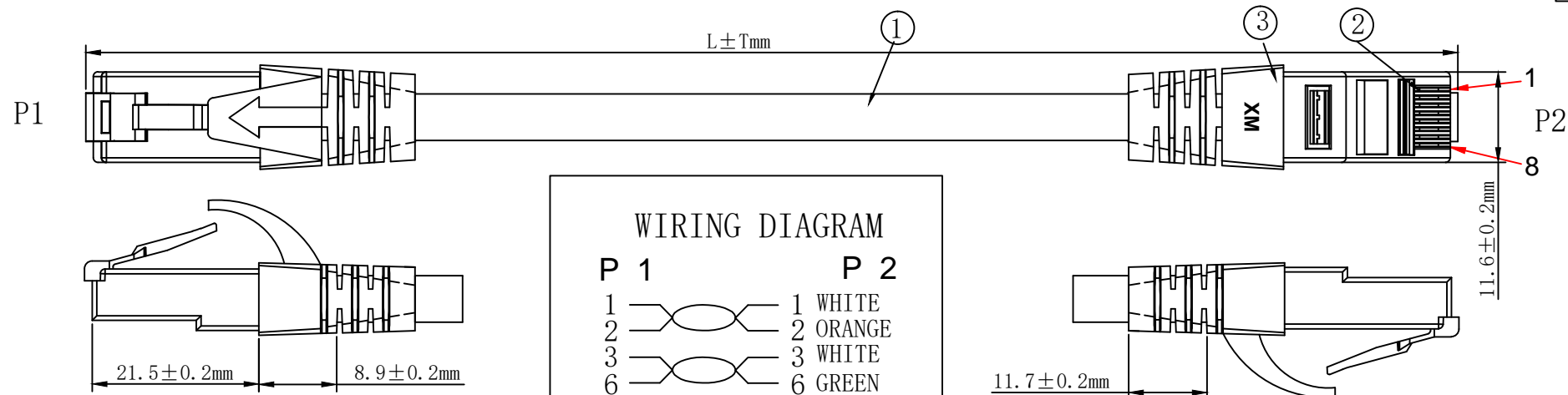
21.15.2717



ROLINE Patchkabel Kat.6A UTP, Component Level, LSOH, rot, 10 m

Cordon ROLINE UTP Cat.6A / 10 Gigabit, Component Level, LSOH, rouge, 10 m

ROLINE UTP Patch Cord Cat.6A, Component Level, LSOH, red, 10.0 m



1. ELECTRICAL TEST:

- (1).100% OPEN SHORT & MISS WIRE TEST;
- (2).INSULATION RESISTANCE:DC 250V 20M OHM MIN;
- (3).CONTACTOR RESISTANCE:30 OHM MAX

2. PRINTING:GHMT® roline CAT.6A U/UTP COMPONENT PATCH CORD LSZH 500MHz ISO/IEC

11801 & EN 50173-1 & ANSI/TIA-568-C.2

3.100% Component Patch cord Test PASS

4.Minimum bending radius:60mm

MATERIAL LIST

⑥	LABEL	NO DRY GLUE LABEL	1PCS	
⑤	MINI TIE	PE MINI TIE(POSSESS METAL)	2PCS	
④	POLYETHYLENE BAG	POLYETHYLENE BAG	1PCS	
③	OVER MOLD	88A PVC Red	2PCS	
②	CONNECTOR	RJ45 8P8C'S UNSHIELDED PIN GOLD PLATED 3u", Transparent Blue	2PCS	
①	CABLE	S/FTP CAT.6A 26AWG (BC*1P+AL-FOIL)*4P+BRAID CABLE JACKET LSOH OD=6.2±0.2MM	1PCS	
NO.	PARTS NAME	SPECIFICATION STANDARD	QT' Y	REMARK

COLOUR: Red (PANTONE: 199C)

ITEM NO.	LENGTH (L)	TOLERANCE (T)
21. 15. 2982	300mm	± 10mm
21. 15. 2710	500mm	± 15mm
21. 15. 2711	1000mm	± 30mm
21. 15. 2714	1500mm	± 45mm
21. 15. 2712	2000mm	± 60mm
21. 15. 2713	3000mm	± 90mm
21. 15. 2715	5000mm	± 150mm
21. 15. 2716	7500mm	± 210mm
21. 15. 2717	10000mm	± 300mm
21. 15. 2718	15000mm	± 450mm
21. 15. 2719	20000mm	± 600mm

ITEM NO.	21. 15. 2982	21. 15. 2710	21. 15. 2711	21. 15. 2712	21. 15. 2713
21. 15. 2714	21. 15. 2715	21. 15. 2716	21. 15. 2717	21. 15. 2718	21. 15. 2719
DESC.	ROLINE U/UTP PatchCord CAT. 6A, LSOH, Comp. Level, red				

		NEW		
BY	CHK	REVISION RECORD MODIFICATIONS	DATE	REV.
			2016-09-13	A

