



Datenblatt - Fiche technique - Data sheet

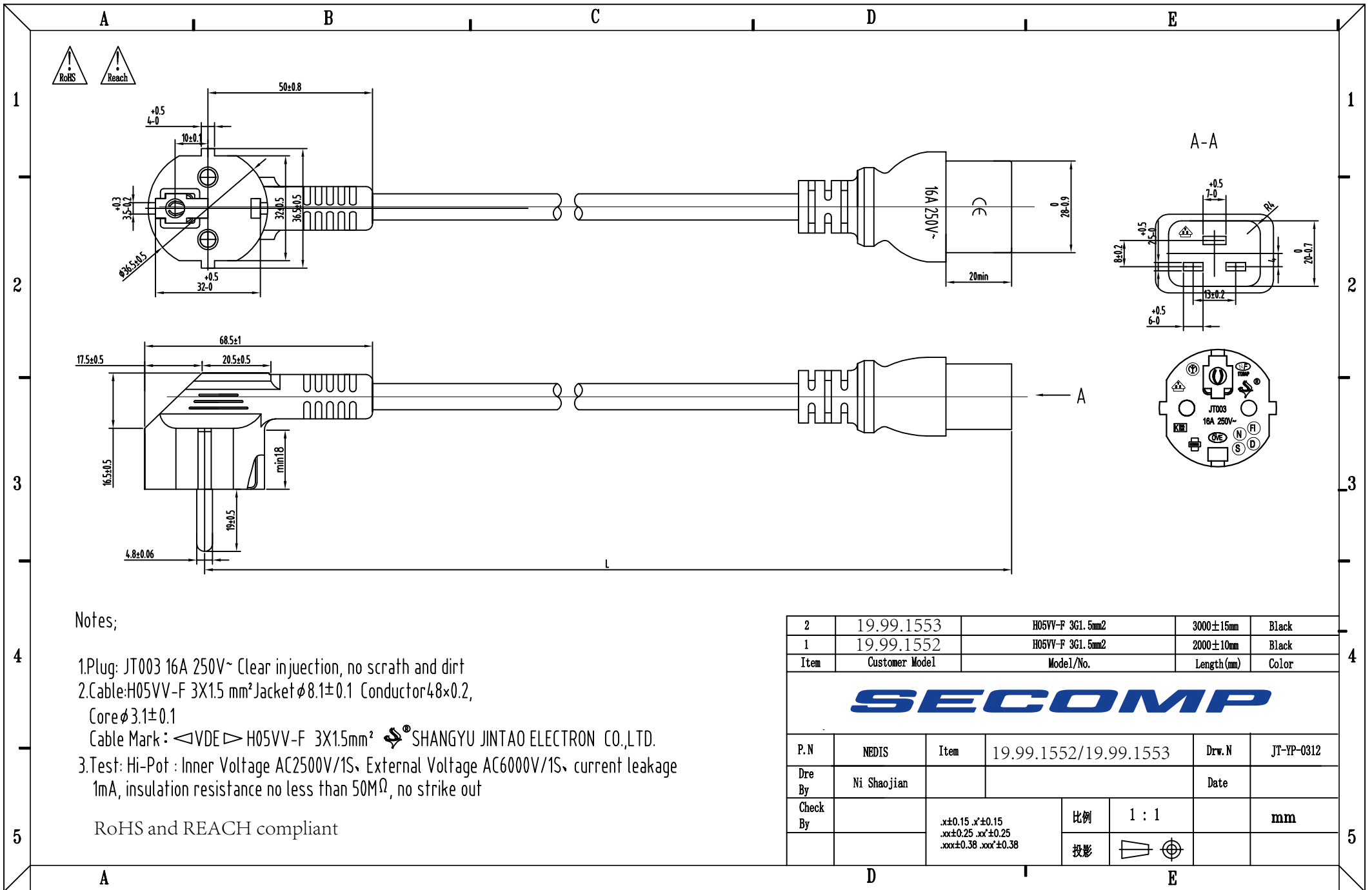
19.99.1553



VALUE Netzkabel Schutzkontakt - IEC320-C19 16A, schwarz, 3,0 m

VALUE Câble électrique Schuko - IEC320-C19 16A, noir, 3,0 m

VALUE Power Cord Schuko, IEC320 - C19 16A, black, 3.0 m



Notes;

- 1.Plug: JT003 16A 250V~ Clear injection, no scratch and dirt
- 2.Cable:H05VV-F 3X1.5 mm²Jacket ϕ 8.1 \pm 0.1 Conductor4 \times 0.2, Core ϕ 3.1 \pm 0.1
Cable Mark : \triangleleft VDE \triangleright H05VV-F 3X1.5mm² SHANGYU JINTAO ELECTRON CO.,LTD.
- 3.Test: Hi-Pot : Inner Voltage AC2500V/1S、 External Voltage AC6000V/1S、 current leakage 1mA, insulation resistance no less than 50M Ω , no strike out

RoHS and REACH compliant

2	19.99.1553	H05VV-F 3G1.5mm ²	3000 \pm 15mm	Black
1	19.99.1552	H05VV-F 3G1.5mm ²	2000 \pm 10mm	Black
Item	Customer Model	Model/No.	Length(mm)	Color

SECOMP

P.N	NEDIS	Item	19.99.1552/19.99.1553	Drw. N	JT-YP-0312
Dre By	Ni Shaojian			Date	
Check By		.x \pm 0.15 .x' \pm 0.15 .xx \pm 0.25 .xx' \pm 0.25 .xxx \pm 0.38 .xxx' \pm 0.38	比例	1 : 1	mm
			投影		