



Datenblatt - Fiche technique - Data sheet

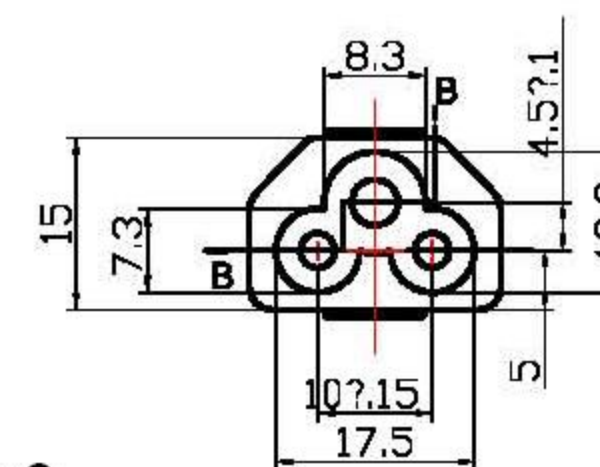
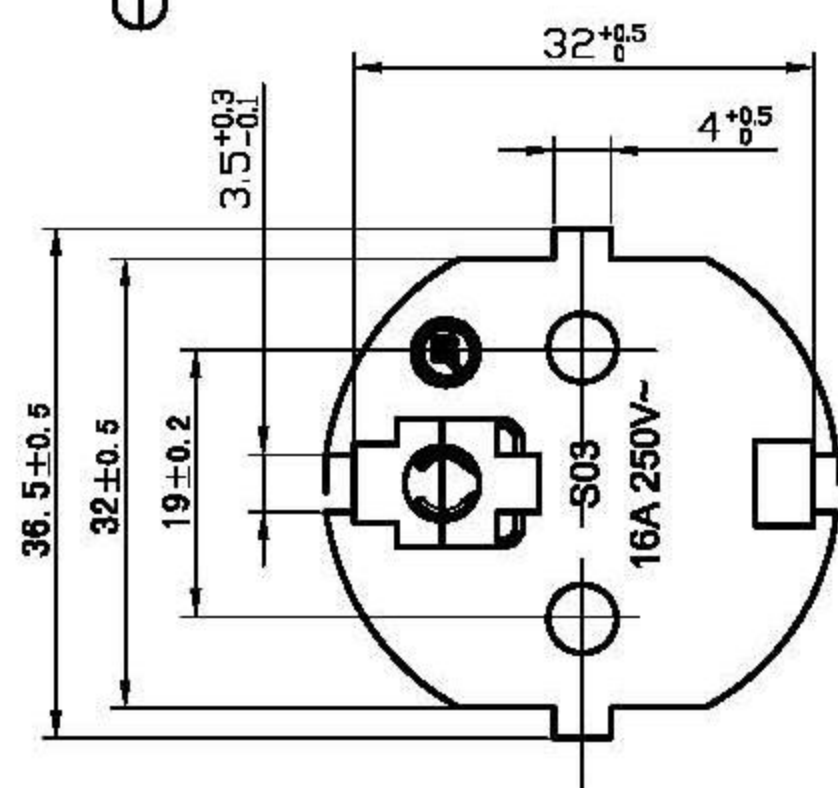
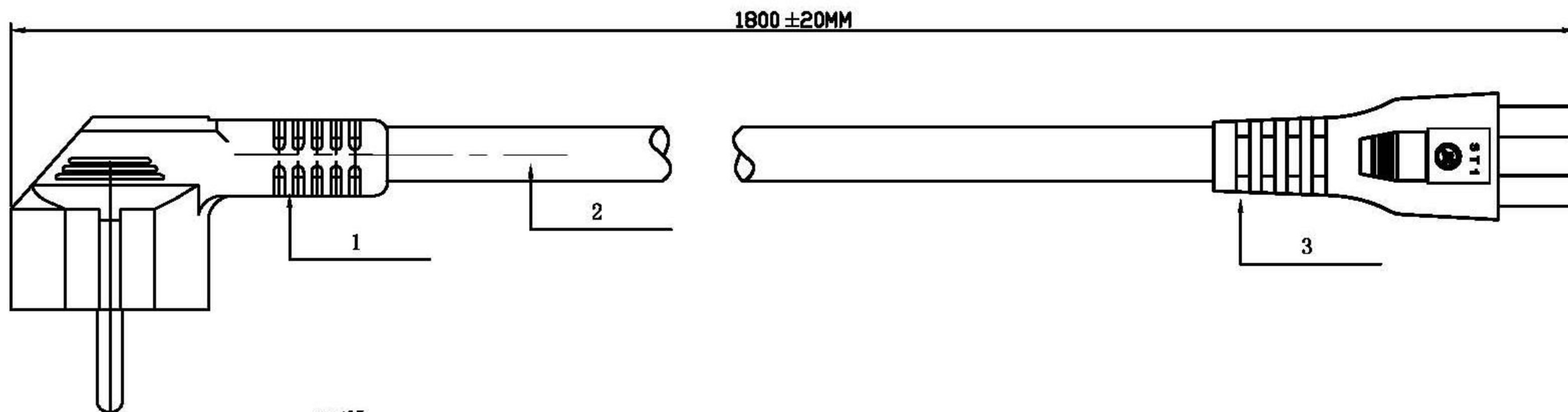
**19.99.1028**



VALUE Netzkabel, 3pol. Notebook-Buchse, 1,8m

VALUE Câble d'alimentation, pour notebook, noir, 1,8m

VALUE Power Cable, straight Compaq Connector, 1.8 m



Plug: S03, Rating: 16A 250V  
 Flexible cable: H05VV-F 3G 0.75mm<sup>2</sup>  
 Connector: ST1, Rating: 10A 250V, IEC60320 C5  
 RoHS and REACH Compliant

S03:   
 ST1: CE

POWER CORD		Date
		2011/12/01
1	PLUG S03 COLOR:Black/	<b>Rotronic Co., Ltd.</b>
2	Cable H05VV-F 3x0.75mm <sup>2</sup> x1.8m COLOR:Black/	
3	Connector ST1 COLOR:Black/	
		Item No.: 19.99.1028