



Datenblatt - Fiche technique - Data sheet

12.99.3144



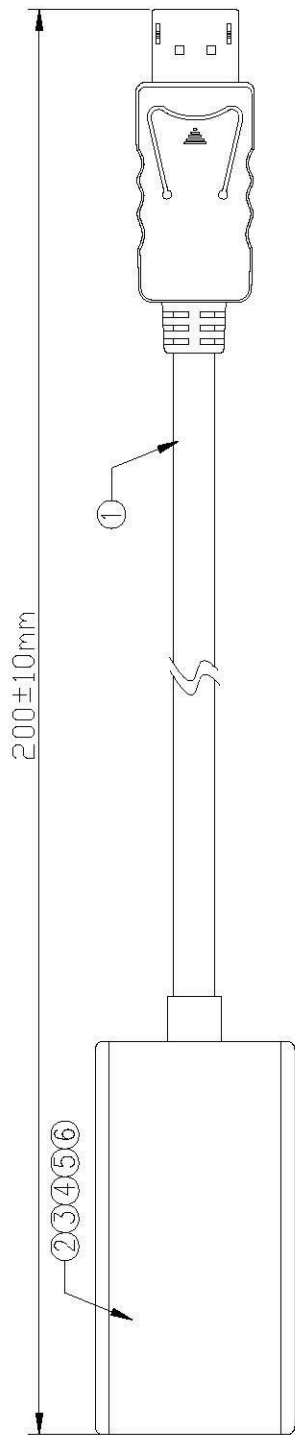
VALUE DisplayPort-HDMI Adapter, v1.2, DP Stecker-HDMI Buchse

VALUE Adaptateur DisplayPort - HDMI, v1.2, DP M-HDMI F

VALUE Cableadapter, v1.2, DP M - HDMI F

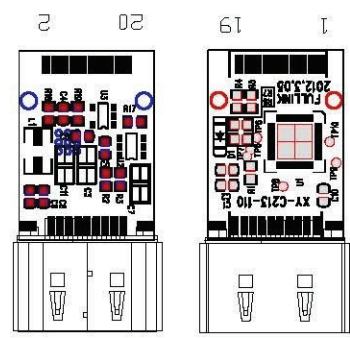
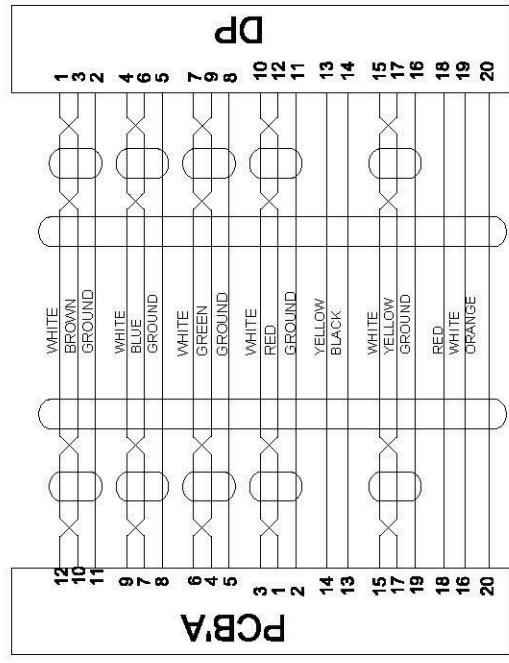
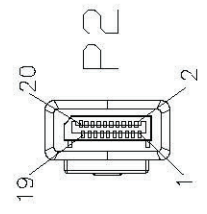
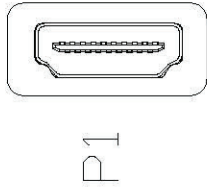
DATE
2014-02-26

RoHS Compliant



HDMI Female

DISPLAYPORT Male



Testing Requirement:
Monitor Resolution: 3840x2160p

6	SR	PVC-0001	60P Black PVC	0.80g
5	InnerMold	PE-0001	Low Density PE	1.80g
4	Front Case	SL-BK0065	HDMI (F) Front Cover Black	1Pcs
3	Outside Case	SL-BK0035	HDMI (F) Front Outside Case Black	1Pcs
2	Conn.	XY-C213-111-N	DP TO HDMI A/F (Black, IC: PS8402) PCB/A, Nickel Connector	1Pcs
1	Cable	CB-BK-138-350	DP (Assy) to DP (Assy) Cable (Nickel) UL20276(32AWG*1P+D+ALMY)*5C+32AWG*5C+MY/AL+BRAID(AlUM), JACKET PVC BLACK. OD=5.5±0.20mm	0.5Pcs
NO	Material	P/N	Description	Unit

(DWG NO)	(REV)	(PAGE)	(DESIGN)	(CHECKED)	(APPROVED)
	A0	1/1			

(UNIT)	MM
(SCALE)	

DIMENSIONS ARE IN MILLIMETERS TOLERANCES:

LINEAR: X.X ±1.0
X.XX ±0.5
X.XXX ±0.15
X.XXX ±0.05

ANGULAR: ±0.5

rotronic

Modcl No. 12.99.3144

VALUE Cable Adapter, DP M to HDMI F, 1.2v
black