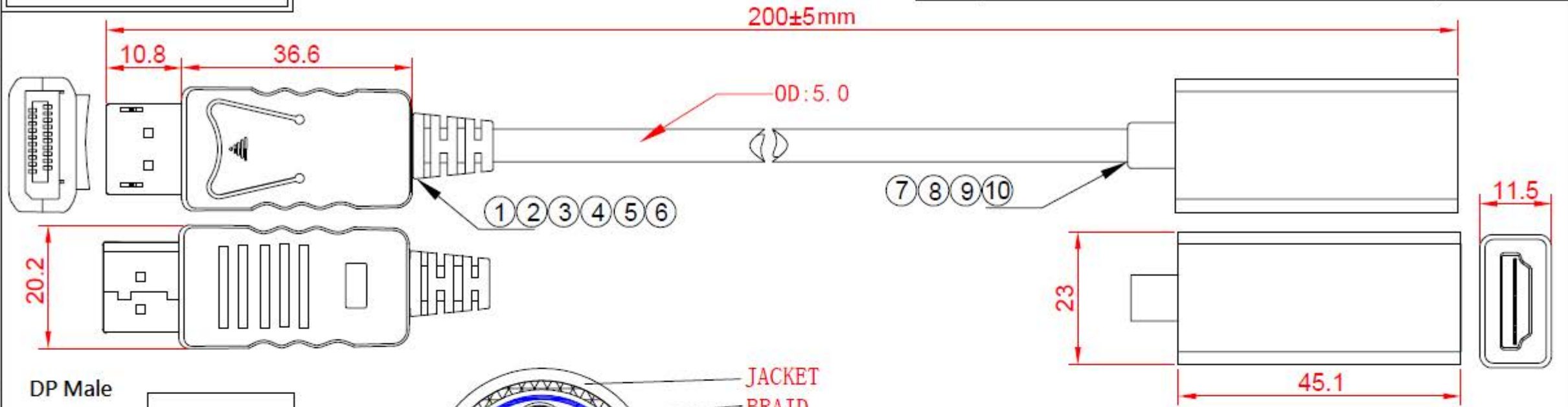
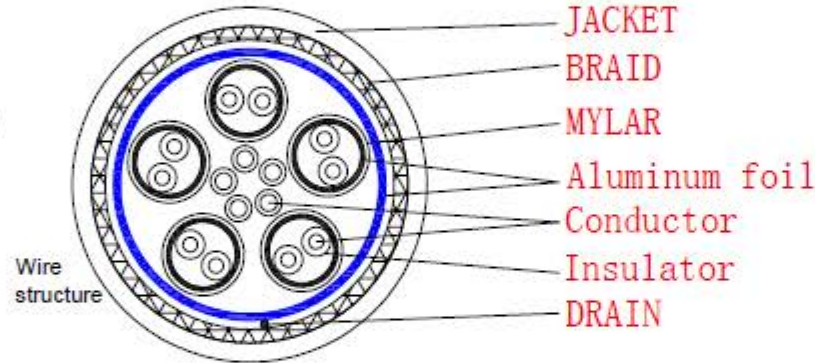
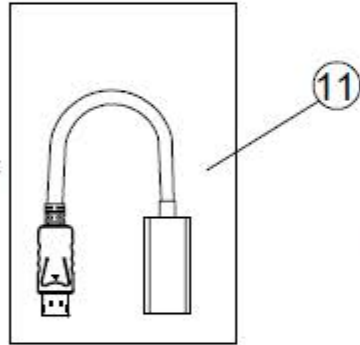


RoHS Compliant

REV	DESCRIPTION OF CHANGE	DATE
A0	INITIAL RELEASE	2018-07-18

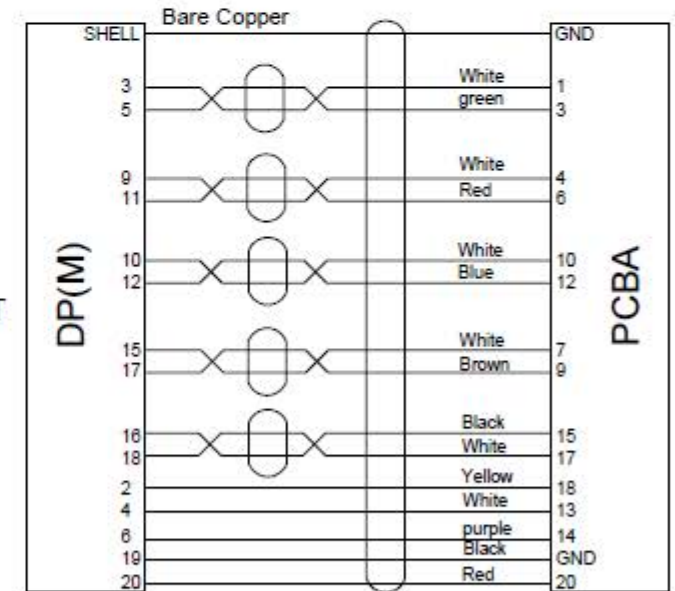


DP Male



HDMI A Female

PIN OUT



10	Plug	HDMI-A Female ,Nickel Plated	1	Pcs
9	PCB	25.5*17*1.6mm FR4	1	Pcs
8	SR	PVC 45P	1	Pcs
7	Housing	ABS 45.1*23.0*11.5mm	1	Pcs
6	Cap	LDPE	1	Pcs
5	Housing	ABS 36.6*20.2*6.1mm	1	Pcs
4	Housing	ABS 36.6*20.2*6.1mm	1	Pcs
3	Inner molding	PE	1.4g	g
2	Plug	DP Male ,Gold Plated	1	Pcs
1	cable spec	(1P*32#+AL+ML) *5+5C*32#+AL+D+128B (AL-MG) OD5.0mm Black Tinned Copper	20	CM
Serial number	Material Science	describe	QTY	UMIT

DWG NO		UNIT: MM
REV	A0	Arbitrarily proportions
PAGE	1/1	
DESIGN	AM	
CHECKED		
Product model		

SECOMP

Description	VALUE Cable Adapter DP-HDMI, M/F, black
Item No.	12.99.3138