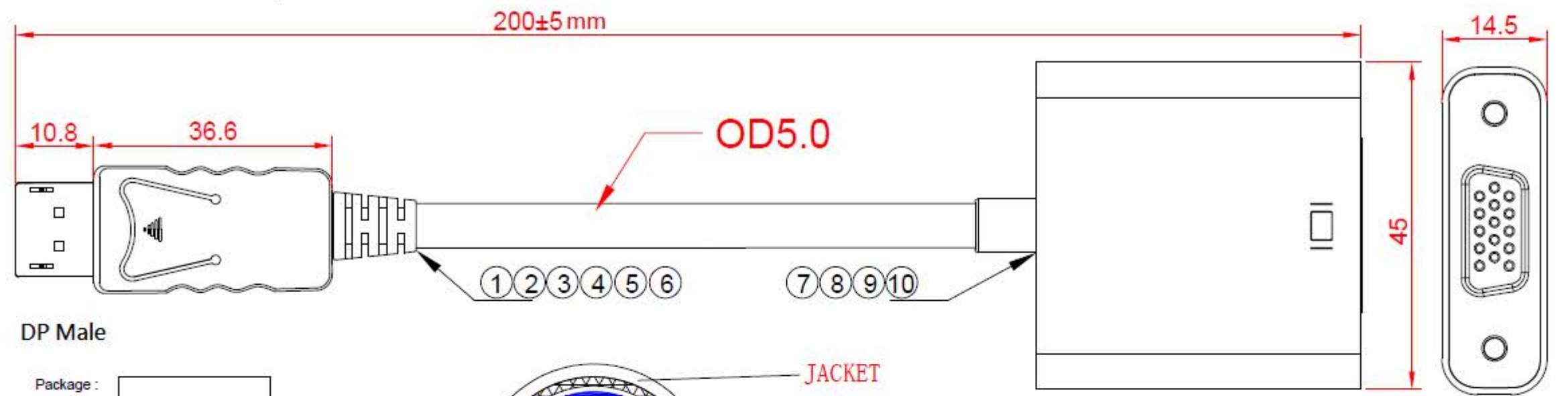
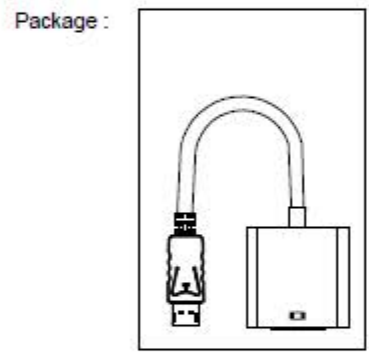


RoHS Compliant

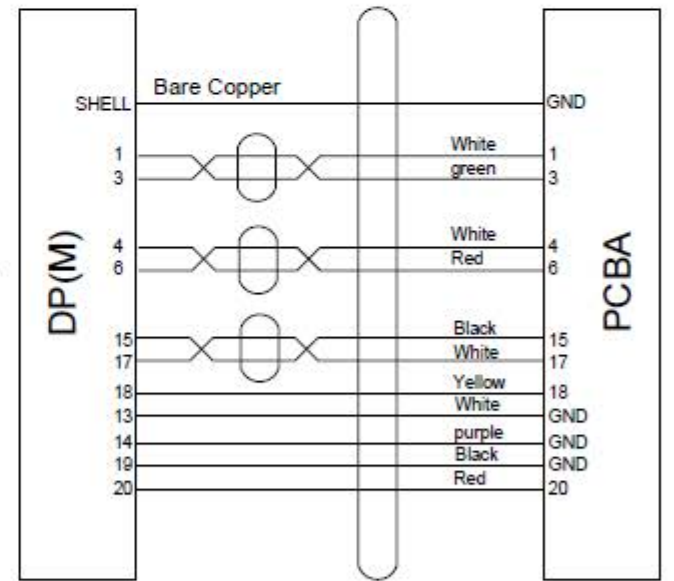
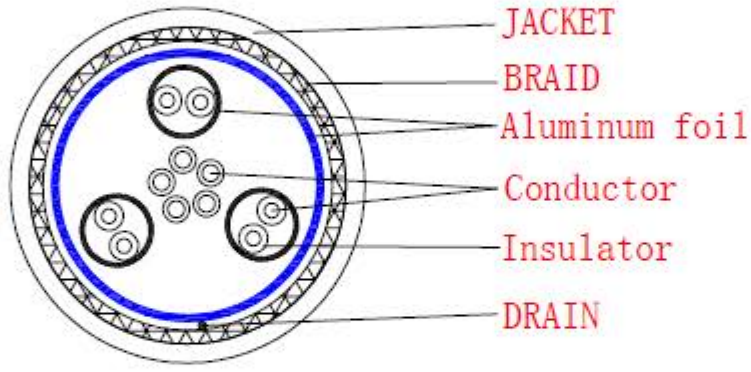
REV	DESCRIPTION OF CHANGE	DATE
A0	INITIAL RELEASE	2018-07-18



DP Male



Wire structure



10	Plug	VGA Female, Nickel Plated	1	Pcs
9	PCB	33*34*1.2mm FR4	1	Pcs
8	SR	PVC 45P	1	Pcs
7	Housing	ABS 45.0*45.0*14.5mm	1	Pcs
6	Cap	LDPE	1	Pcs
5	Housing	ABS 36.6*20.2*6.1mm	1	Pcs
4	Housing	ABS 36.6*20.2*6.1mm	1	Pcs
3	Inner molding	PE	1.4g	g
2	Plug	DP Male ,Gold Plated	1	Pcs
1	cable spec	(1P*32#+AL)*3+5C*32#+AL+D+48B (AL-MG) OD5.0mm Black Tinned Copper	18	CM
Serial number	Material Science	describe	QTY	UMIT

PIN OUT

DWG NO		UNIT: MM	SECOMP
REV	A0	Arbitrarily proportions	
PAGE	1/1		Description VALUE Cable Adapter DP-VGA, M/F, black
DESIGN	AM	<small>DIMENSIONS ARE IN MILLIMETERS TOLERANCES:</small> LARGER SIZE + 0.0 X.X + 0.05 X.XX + 0.10 X.XXX + 0.05 ANGULAR + 0.5°	
CHECKED			Item No. 12.99.3136
Product model			

1 2 3 4 5 6 7