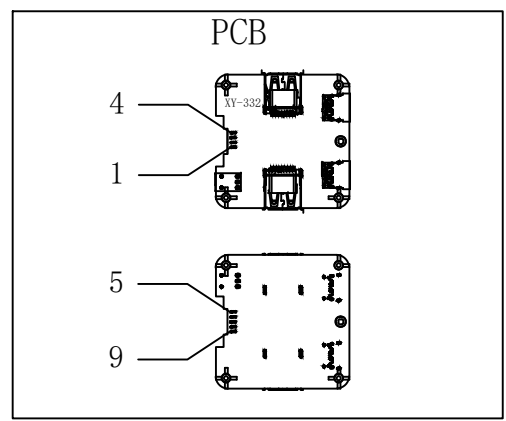


**NOTE:**

- Electrical test:
    - 100% computer+HDD Test
  - RoHS 2.0 and REACH Compliant
- Output: 2Port USB3.2 GEN1 A Female 5Gbps  
 2port USB3.2 GEN1 Type C Female
- Input: USB3.2 A male 5Gbps



**MATERIAL LIST:**

⑤	Connector 2	USB3.2 2ports A Female and USB3.2 2ports Type C Female with DC, The PIN Gold Plated ,The Shell For Nickel Plated	1	
④	Mould	45P Black	1	
③	Housing	Aluminium Gray	2	
②	Connector 1	USB 3.0 A/M, Blue PBT Insulation, The PIN Gold Plated ,The Shell For Nickel Plated	1	
①	Cable	(25AWGx2C+D+AL+HM)*2C+28AWG*1P+(22AWG+D)*1C+F+AB OD:6.00±0.15mm PVC black	L±T	
NO.	PARTS NAME	SPECIFICATION DESCRIPTION	QT'Y	REMARK
		NEW	2022-10-25	A
BY	CHK	REVISION RECORD MODIFICATIONS	DATE	REV.

12.99.1125	VALUE USB 3.0 Hub with Extension Cable, 2xA + 2x C, black, 10m
ITEM NO.	DESC.

