



Datenblatt - Fiche technique - Data sheet

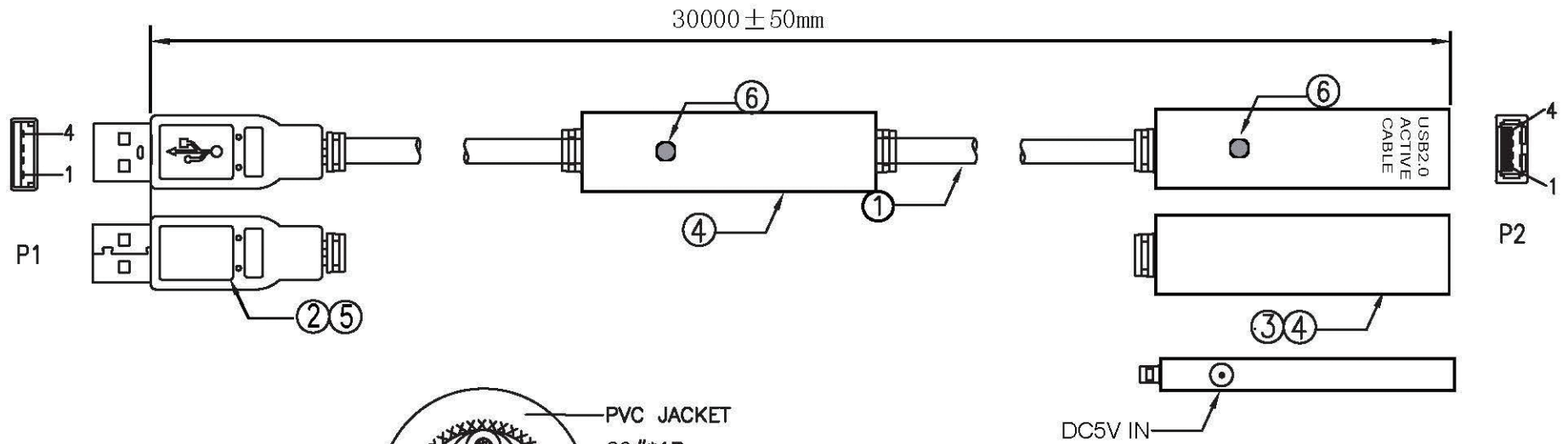
12.99.1111



VALUE USB 2.0 aktive Kabelverlängerung, schwarz, 30,0 m

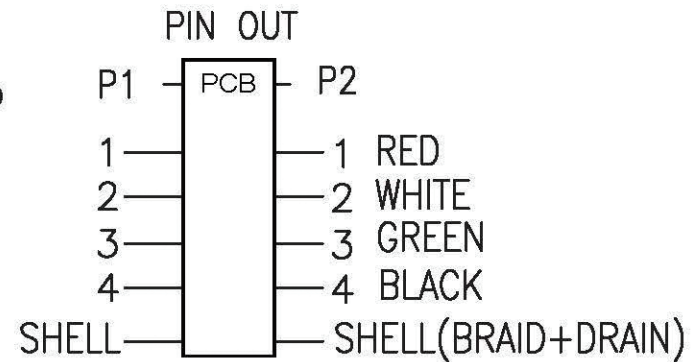
VALUE Prolongation active USB 2.0 avec Repeater, noir, 30,0 m

VALUE USB 2.0 Extension Cable, active, black, 30.0 m



NOTES:

1. Testing: 100% Open and short and miss wire test.
2. All material are ROHS and REACH compliant.
3. Compliant with USB2.0, USB1.1.
4. Connector USB type A M to USB type A F.
5. Plug & Play, no driver required.
6. USB bus power/DC self-power.
7. Additional DC-Jack(5V/1A) is designed for high power device.
8. Over current detection and protection.
9. Supports Win XP/VISTA/7/8/8.1/10



⑥	LIGHT	2PCS	RED LED
⑤	HOOD MOLD	1PCS	BLACK PVC
④	REPEAT SHELL	2PCS	BLACK ABS
③	USB A F	1PCS	NICKEL PLATED SHELL
②	USB A M	1PCS	NICKEL PLATED SHELL
①	CABLE	1PCS	(26AWG*1P)+24AWG*2C+AEB OD:5.0mm BLACK PVC JACKET
NO.	PARTS NAME	Q'TY	SPECIFICATION

APPROVED	CHECKED	DRAWN	CUSTOMER :	
			ITEM NO .	
			DRAW NO .	
			UNIT	mm
			SCALE	NONE

VALUE USB2.0 Extension Cable, 30m, black

Item No.: 12.99.1111

