



Datenblatt - Fiche technique - Data sheet

12.03.2991



ROLINE USB 3.0 Gender Changer, Typ A BU/BU

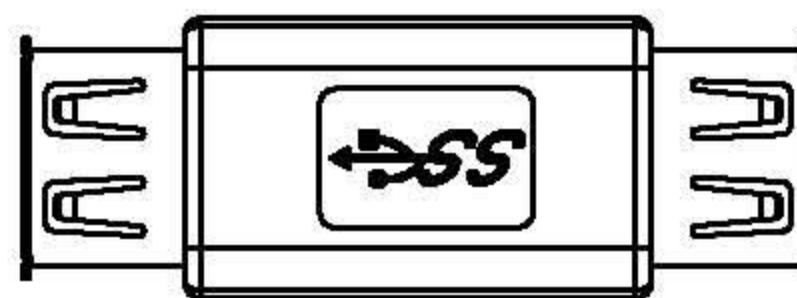
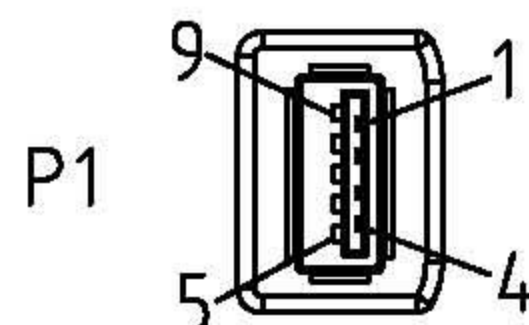
ROLINE Changeur de genre USB 3.0 , type A F/F

ROLINE USB 3.0 Adapter, Type A F to Type A F

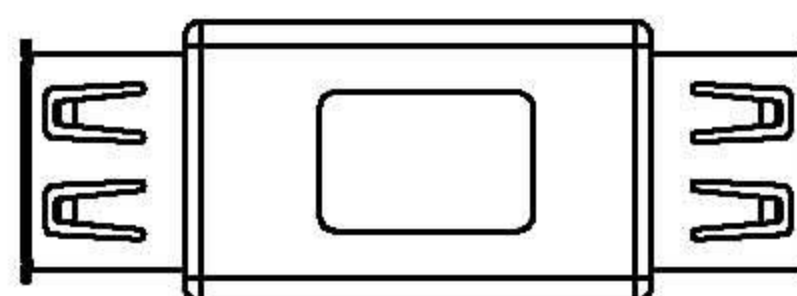
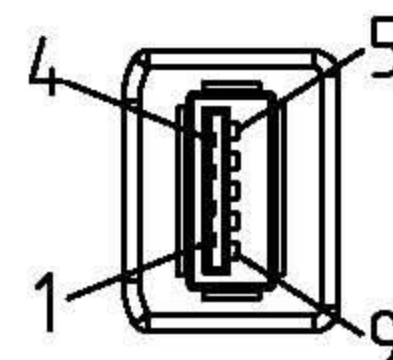
ROHS-COMPLIANT

LTR	REV.	DESCRIPTION	DATE

USB 3.0 A/F
INS: BLUE(PT 300C)



USB 3.0 A/F
INS: BLUE(PT 300C)



P2

PIN OUT	
P1	P2
1	1
2	2
3	3
4	4
5	8
6	9
7	7
8	5
9	6
SHELL	SHELL

NOTE:

1.PCB

2.CONNECTOR:

P1&P2: USB 3.0 A FEMALE DIP TYPE 9PIN CONTACT:15u",SHELL:NI-PLATED.

3.HOOD: MOLDED TYPE, PVC 45P, COLOR:BLACK(NK-K01)

4.ELECTRICAL TEST:

<1> 100% OPEN SHORT & MIS WIRE TEST

<2> CONTACT RESISTANCE 3 OHM MAX.

<3> INSULATION RESISTANCE 5M OHM MIN

5.PACKING:EACH PC / SMALL BLISTER + ROLINE BACK CARD

+ BAR CODE LABEL

20 PCS / INNER CARTON; 2 INNER CTN / MASTER CTN.

Tolerance	Inch	M/M
.X	.015	.30
.XX	.010	.10
.XXX	.005	.05

Rotronic co., LTD.

Draw
FANNIE 08/27/10'
Check
Engr

Title
USB 3.0 AF TO AF ADAPTER

Customer P/N: 12.03.2991

App'd Customer: T-RAG

Scale NONE Units m/m Third Angle Projection

Dwg No. 160-1742 REV:A Sheet 1/1