



Datenblatt - Fiche technique - Data sheet

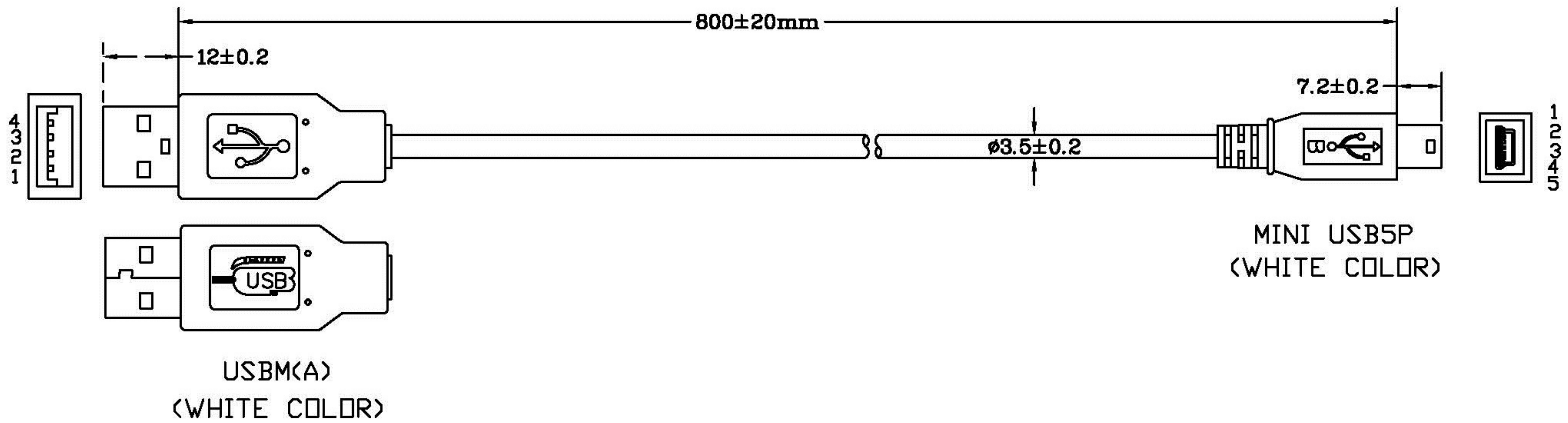
**11.99.8708**



VALUE USB 2.0 Kabel, Typ A - 5-Pin Mini, 0,8m

VALUE Câble USB 2.0, type A - mini 5-broches, 0,8m

VALUE USB 2.0 Cable, A - 5-Pin Mini, M/M, 0.8 m

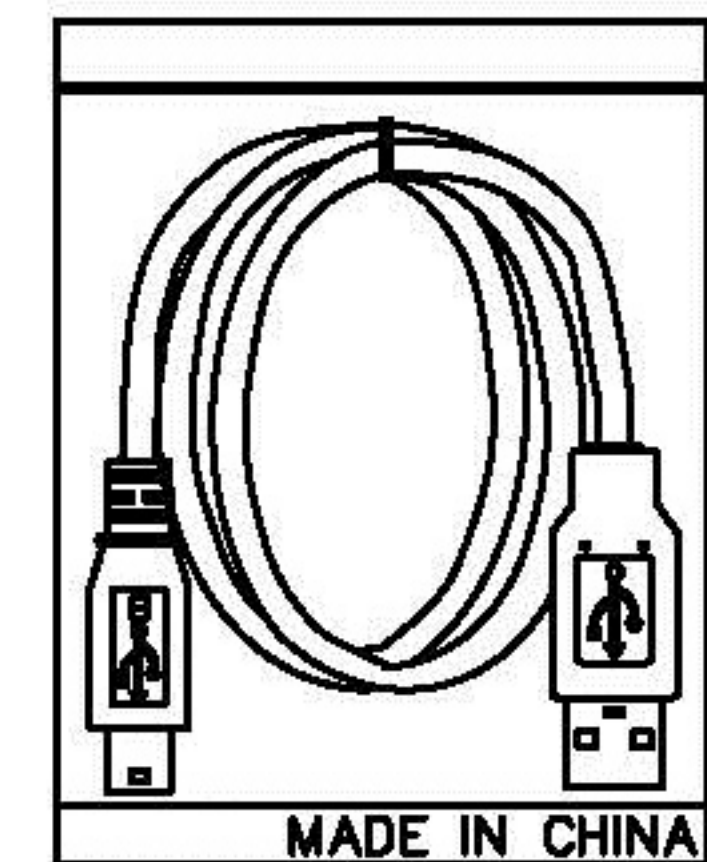


NOTE:

1. CABLE:UL2725,USB 2.0 版,AL+MG-FDIL,#28\*1P+#28\*2C,WHITE COLOR,OD=3.5mm,PVC JACKET.
2. LENGHT: 800mm.
3. CONNECTORS:USB4P(A)\*1(白胶芯),MINI USB5P(MALE)\*1(黑胶芯)(PIN 5U").
4. MOLD: MOLDING USB4P(A) TYPE/MOLDING MINI USB 5P MALE TYPE.
5. CONTACTS:

USB4P(A)	1	2	3	4	64
MINI USB 5P	1	2	3	5	64
	RED	WHITE	GREEN	BLACK	SHIELD
	PAIRS				

6. OPEN/SHORT TEST: 100% TEST.  
INSULATION: 2M.



1PC/PE BAG+ 客人条码贴纸

VALUE USB 2.0 Cable, Type A/5-Pin mini, M/M.0.8m			ITEM NO.	11.99.8708	NO	B	Rotronic Co.,Ltd.	SCALE	NON
REVISION	DATE	DISCRIPTION	DRAWN BY					UNIT(mm)	
REV.A/0	2012.02.24		DESIGNED BY					DRAWING NO.	
			APPROVAL BY						