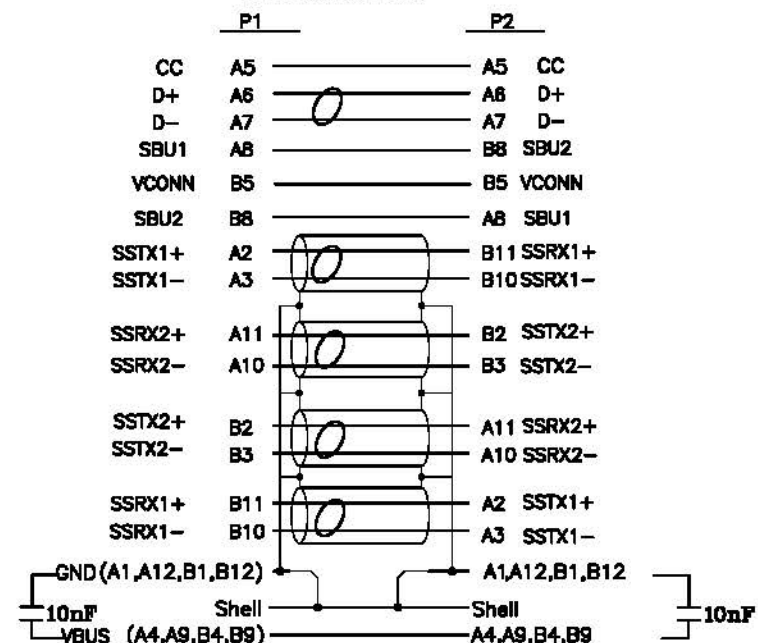


Pin Assignment:



NO	DESCRIPTION	Q'TY	UNIT
9	TYPE C to C Clip, NY-66+15%GF, Black	2	PCS
8	W=3mm 25u Copper	0.08	M
7	USB TYPE C, Shell 2	2	pcs
6	USB TYPE C, Shell 1	2	pcs
5	TPE, 45P, Black	12	g
4	Inner-molding, Low pressure, UL94V-0	1	g
3	USB 3.2 C Type Connector, PCB+10NF	1	pc
2	USB 3.2 C Type Connector, PCB+10NF, VL152 IC	1	pc
1	USB 3.2, [30AWG(7/0.105TC)+EAM]*4P+[32AWG(7/0.08TC)+AM]*1P+34AWG(7/0.06TC)*1C+26AWG(19/0.10TC)*2C +[34AWG(7/0.06TC)+A]*3C+A2EB(24/11/0.06TC 90%), OD: 52MM, Black (TPE013-0001) GEN 2 5A 1m	1.02	M

TOLERANCE	INCHES		M/M	
	.X	.XX	.XXX	
	.015	.010	.005	.30
DRAWN BY				
CHECK BY				
APPD BY				

SECOMP

ROLINE GREEN USB 3.2 Gen 2 Cable, PD 20V5A w/Emark, C-C, M/M, 1.0m, black

CUSTOMER :			
ITEM NO.:		11.44.9053	
SCALE	NONE	DRAWING NO.:	REV. A1
UNIT	MM		
DATE	22.04.06	C04321-00281	1/1