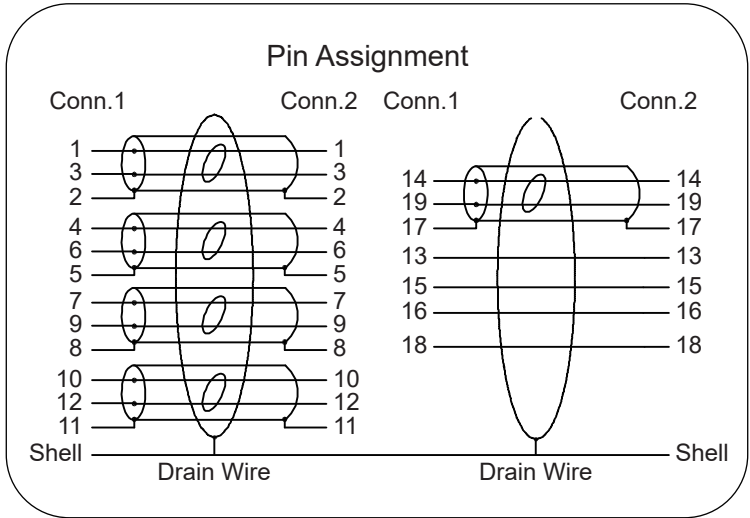


Conn. 1:
HDMI A Type Plug

Conn. 1:
HDMI A Type Plug



Electrical Test :

- 100% Test(Open, Short, Miss Wire)
- Contact Resistance: 5 ohm Max.
- Insulation Resistance: 5M ohm Min.
- Hi-Pot: 300V DC/10ms

Specification :

- Cable: UL20276, [24AWG(TC)*1P+AL+D+Mylar]*5C+26AWG*4C+AL/MY+Braid, OD: 9.50mm, Jacket Color: Transparency Red
- Conn.: HDMI 19P Male, Shell: Gold Plated 1μ, Insulator: Black
- Inner Molding: PE
- Hood: Zinc Alloy, Color: Calx

Part No.	Length	Text
11.04.5901	1000±30 mm	8K-60Hz
11.04.5902	2000±50 mm	8K-60Hz
11.04.5903	3000±50 mm	8K-60Hz
11.04.5905	5000±100 mm	8K-60Hz

Rev.	Date	Contents of Change	Designer	Tol±	Range	Pla	Met	Ins	Por	Cab	Pac	Gas	Dis	Approve	Check	Draw	Design	Product Name	ROLINE HDMI 8K (7680x4320) Ultra HD + Ethernet Cable				
△					0~6	0.1	0.1	0.1	0.2	0.5	1	0.5	0.2	Allen	Allen		Kuan	Product Name	ROLINE HDMI 8K (7680x4320) Ultra HD + Ethernet Cable				
△				6~30	0.1	0.1	.15	.25	1	1	0.5	.25	Drawing Date					2017-11-28					
△				30~80	0.1	.15	0.2	0.3	2	1.5	1	0.3	Product No.					11.04.5901/11.04.5902/ 11.04.5903/11.04.5905					
△				80~180	.15	.15	.25	0.3	2	2	1	.45											
△				180~315	.15	0.2	0.3	0.4	2.5	2	1	0.6											
△				315~800	0.2	0.3	0.4	0.5	3	3	2	1.1		Scale	1 : 1	Unit	mm	SECOMP					