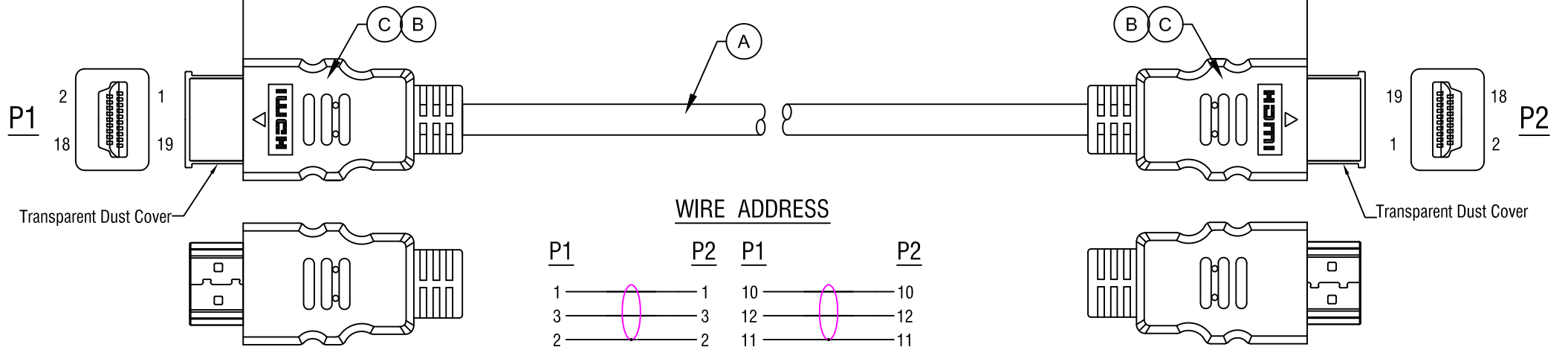
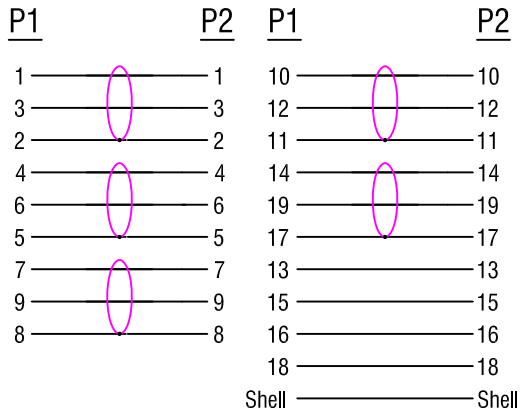


RoHS Compliant

2000+30/-0mm



WIRE ADDRESS



Electrical Test:

- 1.100% TEST OPEN SHORT MIS-WIRE.
- 2.CONTACT RESISTANCE:3Ω MAX.
- 3.INSULATION RESISTANCE:5MΩ MIN.
- 4.HI-POT:300V DC/10MS.
- 5.Real Test Passed 3840*2160P 30Hz.
- 6.Real Test Not Twinkling,Double Vision and Decolor.

ROLINE HDMI High Speed Cable + Ethernet, LSOH, M/M, black, 2 m		SECOMP	
Item	11.04.5732		
Draw	Andi		Date: 2022.10.17
Approval			
Duty	F16		
Sample NO.		Drawings of 1 (2) Proportion: 1:1 Unit(mm)	

NUMBER	PRODUCT SPECIFICATIONS	Quantity	Unit
C	85A TPE(LSOH)BLACK		G
B	HDMI 19P MALE(Black Insulator Nickel Plated)	2	PCS
A	UL21445 or UL21550 (30#*3C+AL)*5+30#*4C+AEB OD:6.0mm BLACK TPE (LSOH)JACKET (CABLE PRITING:High Speed HDMI™ Cable with Ethernet)	1	PCS