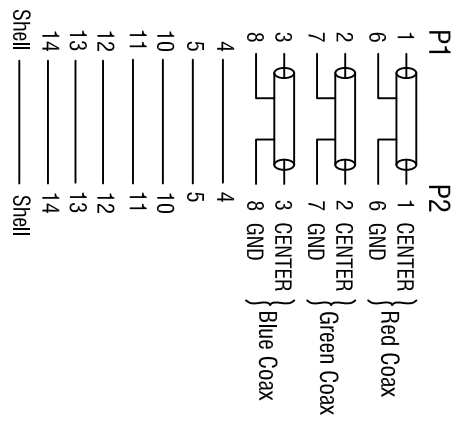


WIRE ADDRESS



- Electrical Test:
1. 100% TEST OPEN SHORT MIS-WIRE.
 2. CONTACT RESISTANCE:3Ω MAX.
 3. INSULATION RESISTANCE:5MΩ MIN.
 4. HI-POT:300V DC/10MS.
 5. Real Test Passed 1280*1024.
 6. Real Test Not Twinkling, Double Vision and Decolor.

E	45P BLACK PVC	G
D	HD37.7 Screw	4 PCS
C	HDB15P FEMALE (PIN9 OUT, Black Insulator, Nickel Plated)	1 PCS
B	HDB15P MALE (PIN9 OUT, Black Insulator, Nickel Plated)	1 PCS
A	UI2919,28# 3COAX+28#*7C+ADB, OD=8.0mm BLACK DENTATE PVC JACKET.	1 PCS
F	PRODUCT SPECIFICATIONS	
NUMBER	1	2
	1	4

ROLINE HQ VGA Cable, HD15 M - HD15 F, 10m	
Item	11.04.5310
Draw	<i>Make</i> Date: 2020.05.13
Approval	
Duty	F16 BOM.NO.:13917
Sample NO.	
Drawings of 1 (2) Proportion: 1:1 Unit(mm)	
A4	

