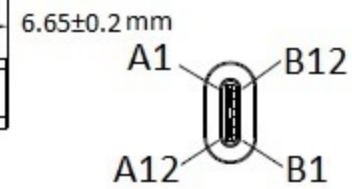
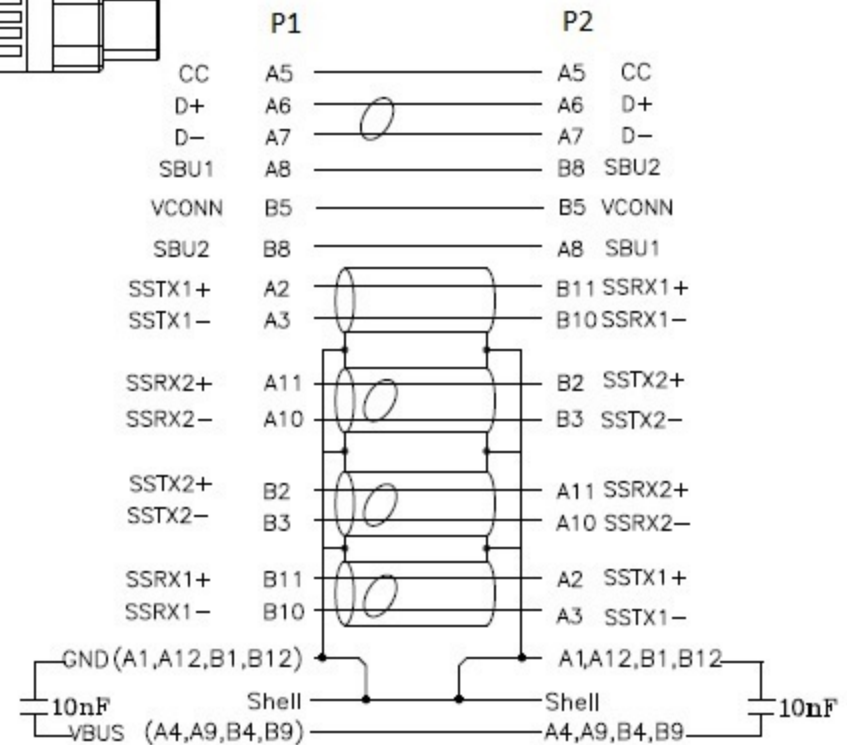


Type C Male



Type C Male

Pin Assignment:



Electrical Test:

1. 100% Test (open, short, miss wire)
2. Contact Resistance: 2 ohm max.
3. Speed: 10G

No.	Description	Q'TY	UNIT	Symbol	Tolerance			SECOMP	ROLINE USB 3.2 Gen 2 Flex. Cable CM/CM, PD 20V3A, black		
					inches	mm					
6	Aluminum alloy shell Color: silver	2	PCS	⌀	.X	.015	.30	Item No.	11.02.9054		REV. AO
5	Outside Molding 65A TPE Color: black	15	G	.XX	.010	.10	Scale				
4	Outside Molding 88A TPE Color: black	4	G	.XXX	.005	.05		Unit	mm		Date
3	Type C Metal Down Cap	1	PCS	Drawn by	Shi Jie		Date				
2	Type C Metal Up Cap	1	PCS	Check by							
1	USB 3.2 Type C to C ~ with FPC+SMT	1	PCS	Appd by							