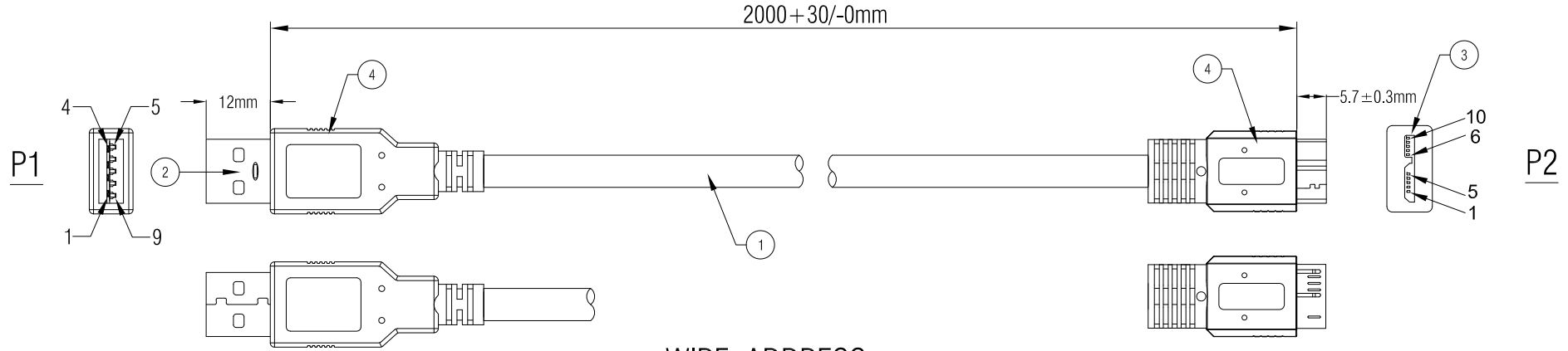
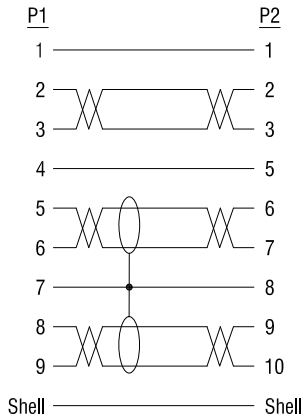


RoHS Compliant



WIRE ADDRESS



Electrical Test:
 1.100% TEST OPEN SHORT MIS-WIRE.
 2.CONTACT RESISTANCE:3Ω MAX.
 3.INSULATION RESISTANCE:5MΩ MIN.
 4.HI-POT:300V DC/10MS.

4	45P PVC BLACK		G	ROLINE USB 3.2 Gen 1 Cable, A - Micro B, M/M, black, 2 m	
3	USB 3.0 Micro B MALE(Black Insulator,Shell Nickel Plated,Pin Gold Plated 30U")	1	PCS	Item	11.02.8875
2	USB 3.0 A MALE(Blue Insulator,Shell Nickel Plated,Pin Gold Plated 30U")	1	PCS	Draw	Sam Date: 2022.08.30
1	UL2725 OR UL20276 (28AWG*1P+EAM)*2C+28AWG*1P+24AWG*2C+AEB, OD=5.5mm,BLACK PVC JACKET.	1	PCS	Approval	
NUMBER	BOM.NO	PRODUCT SPECIFICATIONS	Quantity	Unit	Duty F16 BOM.NO:XXXX
1	2	4		Sample NO.	Drawings of 1 (2) Proportion: 1:1 Unit(mm) A4

SECOMP