



Datenblatt - Fiche technique - Data sheet

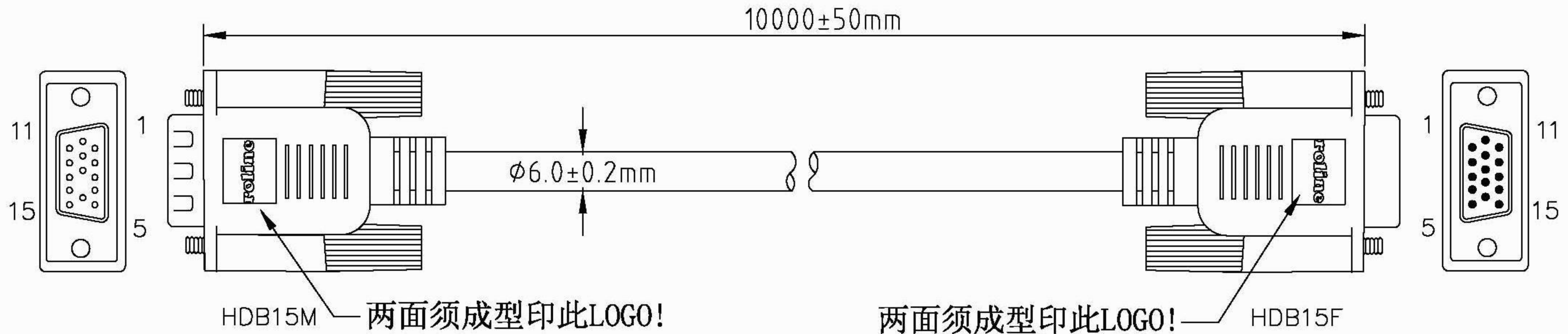
11.01.6590



ROLINE Monitor-Anschlusskabel HD15 ST/BU, 10,0m

ROLINE Câble pour écran HD15 F - HD15 M A-B, 10,0m

ROLINE VGA Cable, HD15 F - HD15 M, 10 m

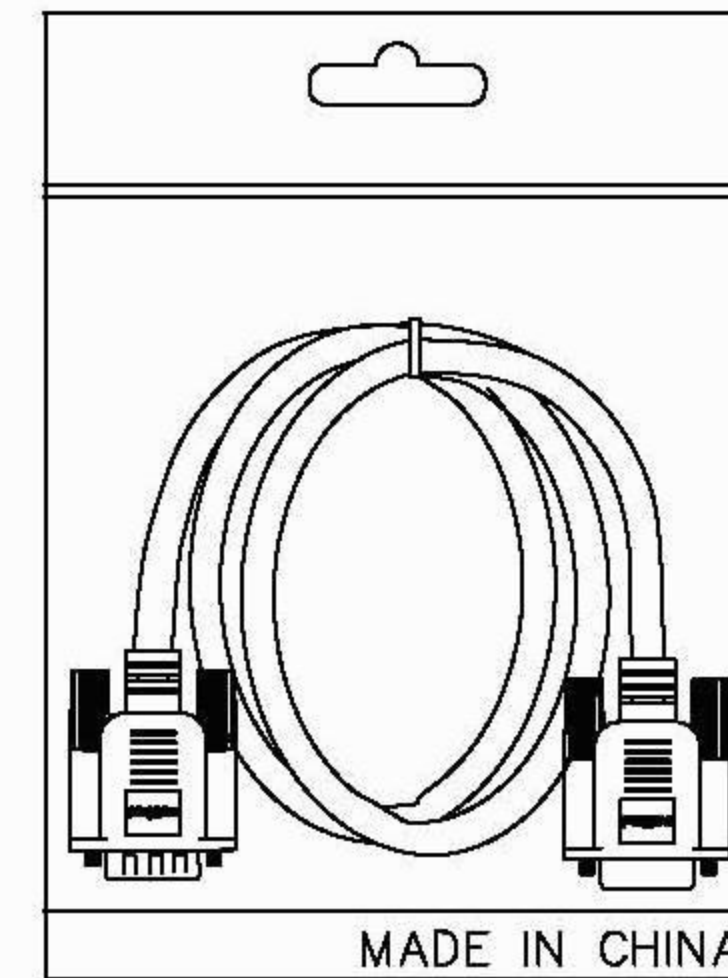


NOTE:

注:线材颜色须用RLA专用米色!

1. CABLE: 28AWG, NON-UL, AL-FOIL, 14C+1, BEIGE COLOR, OD=6.0mm, PVC JACKET.
2. LENGTH: 10M.
3. CONNECTORF: HDB15M * 1PCS, HDB15F * 1PCS (黑胶芯)
4. MLOD: 成型APPLE模 — 成型APPLE模
5. SCREW: #4*40 INCH SCREW * 4
6. CONTACTS:

| | | | | | | | | | | | | | | | |
|--------|---|---|---|---|---|---|---|---|----|----|----|----|----|----|----|
| HDB15M | 1 | 2 | 3 | 4 | 5 | 6 | 7 | 8 | 10 | 11 | 12 | 13 | 14 | 15 | 64 |
| HDB15F | 1 | 2 | 3 | 4 | 5 | 6 | 7 | 8 | 10 | 11 | 12 | 13 | 14 | 15 | 64 |
7. OPEN/SHORT: 100% TEXT.
INSULATION: 1M.
8. ALL MUST BE ROHS COMPLIANT.



PE BAG(250*360*0.06)
+ 吊卡+条码贴纸包装
25PCS/CTN

| | | | | | | | | | |
|----------|------------|-------------|-------------|------------|----|---|--------------------|-------------|-----|
| COMPANY | RLA | | ITEM NO. | 11.01.6590 | NO | B | Rotronic Co., Ltd. | SCALE | NON |
| REVISION | DATE | DISCRIPTION | DRAWN BY | | | | | UNIT(mm) | ⊕ |
| REV.A/0 | 2006.12.21 | S | DESIGNED BY | | | | | DRAWING NO. | |
| | | | APPROVAL BY | | | | | | |