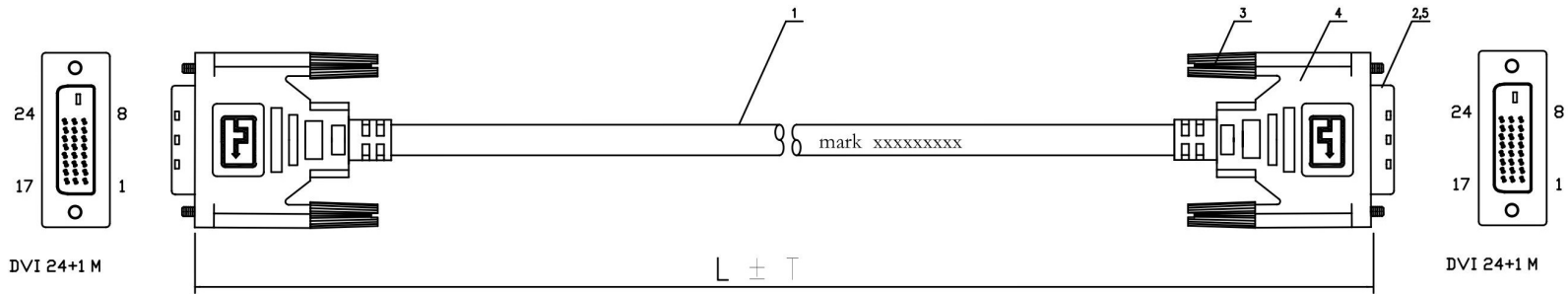
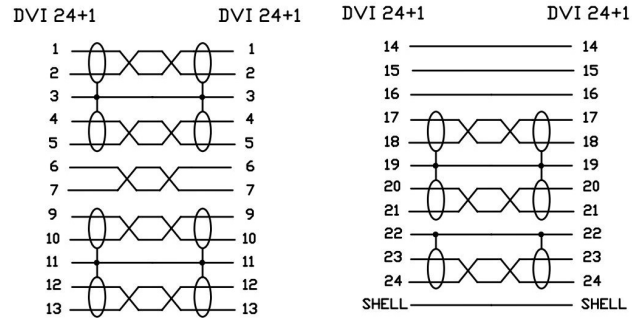


REV	DESCRIPTION
A/0	

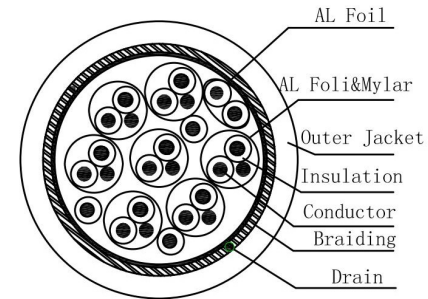


PRODUCT FAMILY	
L<LENGTH>	T<TOLERANCE>
2M	0.03M
3M	0.05M
5M	0.06M

### PIN OUT



### CABLE STRUCTURE



### NOTE

- Electrical test:
  - 100% open short and miss wire test;
  - 100% 1080P test via source and sink;
  - Insulation resistance: DC300V/5s 15Mohm min;
  - Contact resistance: 2.5ohm Max;
  - Dielectric strength: 150V AC/minute, 1mA.
- Full RoHS compliant

5		DUST COVER	LDPE	2	TRANSPARENCE
4		MOLDED	PVC	2	BLACK
3		SCREW	METAL	2	PLATED NI
2		CONN.	DVI (24+1)/M	2	PLATED NI
1		CABLE	((1/0.254CCS+PPE)*1P+1/0.254CCS+AL)*7C+(1/0.254CCS+PE)*1P+(1/0.254CCS+PE)*3C+AL+1/0.254CCS+112/0.12CCAM+PVC OD:7.5MM	1	BLACK
NO.	PART NO.	PART NAME	MATERIAL	Q' TY	REMARKS

<b>SECOMP</b>		DESCRIPTION		STANDARD Monitor DVI Cable DVI M-DVI M,(24+1), Dual Link , black			
		Product No.		S3641(2M), S3642(3M), S3643(5M)			
CHECK		DATE		2011/10/26	REV.	A/0.3	
APP.		SHEET	1/1	UNIT	mm	SCALE	1:1