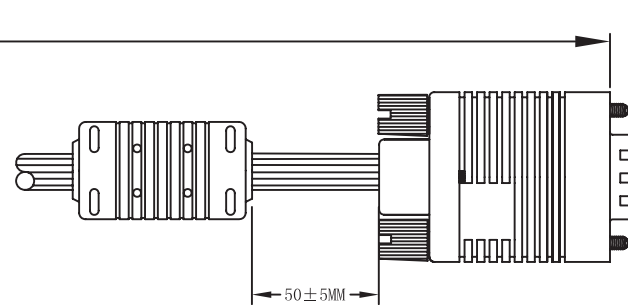
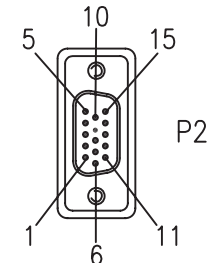


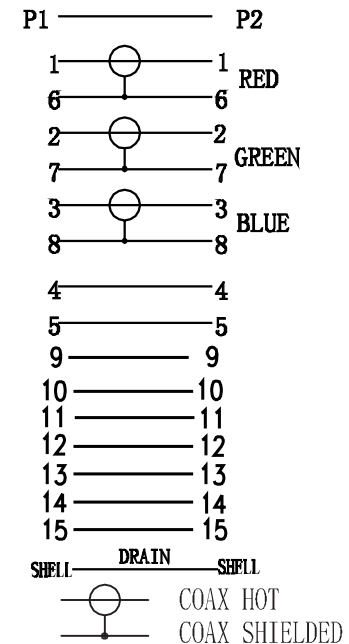
HDB15 M



HDB15 M



PIN OUT



NOTES:

1. MATERIALS

1.1 CABLE: [( AWG28 TC\*1C+S ( 28\*AWG28 )+PVC)\*3PCS+AWG28 CCS\*9C+AM+7/0. 12BC+ 80/0. 12ALM+ BLACK PVC JACKET  
OD:8. 2±0. 2MM.

CABLE MARKING: "LOW VOLTAGE COMPUTER CABLE 80°C 30V

1.2 P1&P2: HDB 15PIN MALE: SOLDER TYPE, BLUE PBT INSULATION, GOLD FLASH CONTACTS, NICKEL PLATED SHELL;

1.3 HOOD MOLDED BLACK PVC.

1.4 THUMB SCREW TO BE MOLDED BLACK PVC

2 100% OPEN AND SHORT TEST.

3. PACKING: 1PCS/PE BAG.

4. ALL MATERIAL BE REACH COMPLIANT.

ITEM NO	L (MM)
S3625	2000±50MM
S3626	3000±70MM
S3627	6000±150MM
S3628	10000±150MM
S3629	15000±200MM
S3630	20000±300MM

LENGTH TOLERANCE: X. ± 0.5 .X ± 0.2 .XX ± 0.1	SCALE: FREE	CUS. NAME:
ANGLE TOLERANCE: X' ±3' .X' ±1'	UNIT: mm	
	VERSION: 00	
	PAGE:	1/1

<b>SECOMP</b>		ENG: SUMIN
PRODUCT NO: S3625, S3626, S3627, S3628, S3629, S3630	CUSTOMER NO: P/N	CHECKED:
DRAWING NO: 1396	PRODUCT DESCRIPTION: VALUE SVGA Cable w/DDC+ferrite, HD 15m/m, black	APPROVED:

00	NEW ISSUE	2016-5-23
REV.	MODIFY DESCRIPTION	DATE